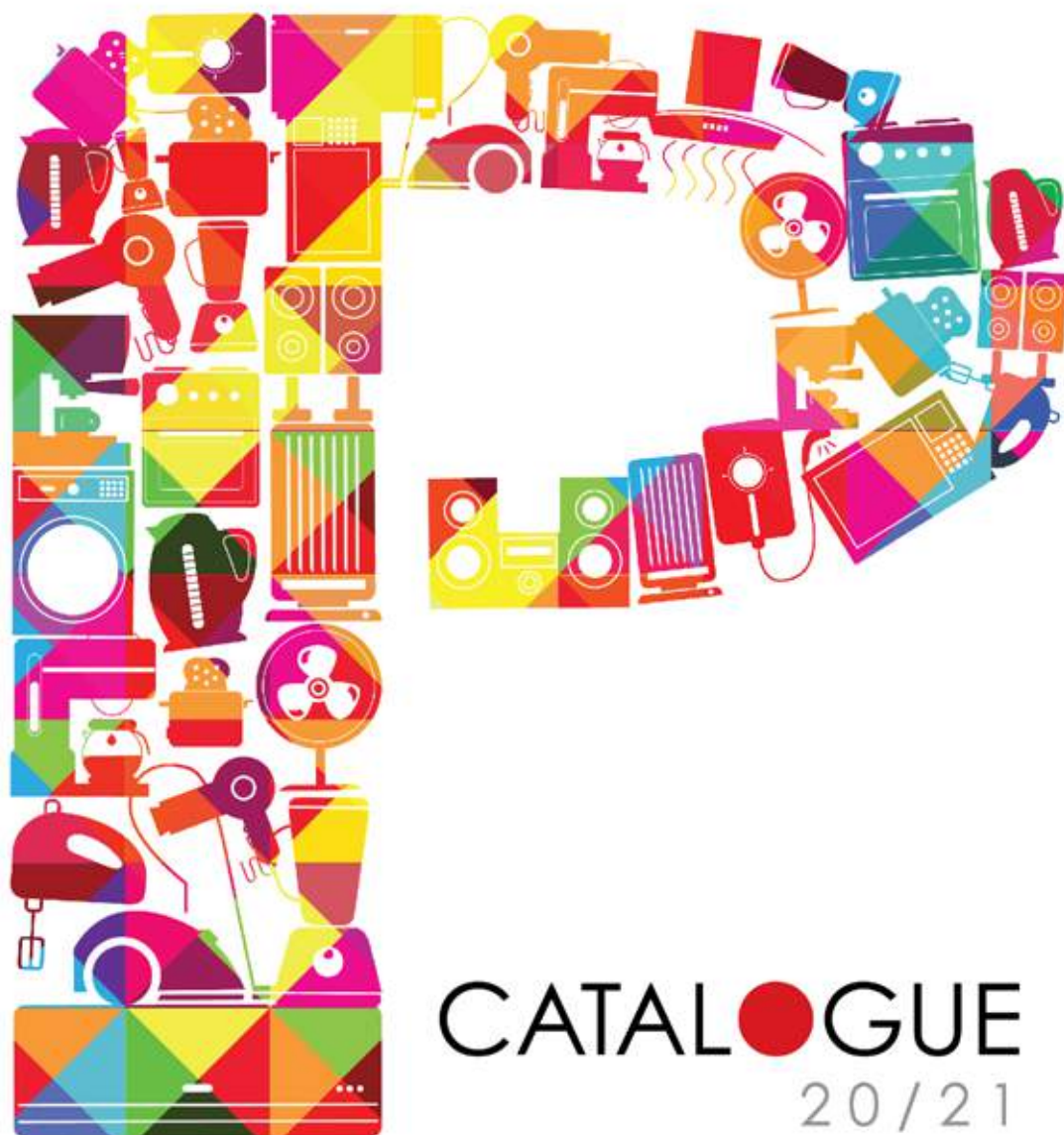


PENSONIC

Your Enjoyment



CATALOGUE
20/21

FRESHLY SQUEEZED GOODNESS

in every drop

PJ-7001

DELICIOUSLY NUTRITIOUS RESULTS

2-step extraction process churns more fruit and vegetable juices that are easily absorbed by the body.

GUILT FREE DELIGHTS

Indulge in delicious and healthy ice-creams, sorbets or frozen yogurt made with your favourite fruits, and customise them if you have special preferences.

THOROUGHLY EFFICIENT JUICING

Slow speed juicing, sharp cutting blades and Tritan BPA free auger ensure maximum vitamins, enzymes and minerals are retained in your juices.



Nutri de Blender

Smart
ONE TOUCH
38,000rpm



PNB-1

- Jug 2.0L • 38,000rpm • 3 hp • 1680W
- Japanese Stainless Steel Blade
- Powerful Motor • LCD Display
- PCB Function Control with 6 Functions & 8 Modes
- Suitable for: Vegetables, Soy Milk, Sauces, Smoothies, Soups, Nuts



▶ Easy to use

Smart One Touch Pre-set function buttons to process vegetables, soy milk, sauces, smoothies, soups & nuts, especially convenient for baby food processing.

▶ Patented heavy-duty stainless steel blade from Japan

Best performance to ensure freshness of food.

▶ High Nutrition

With high speed motor of 38,000rpm, all phytonutrients of fruits and vegetables can be well blended and fully absorbed by our bodies.

▶ Patented and high quality polycarbonate jug

It is able to withstand high temperature, easy to use, easy to clean and hygienic.

▶ Dual safety protection motor

Equipped with an upgraded design that allows overheat and displacement shut off.

PNB-2

- Jug 1.5L • 300W
- Eight-cutter Blades with Grinder for Finer Juice Processing
- Convenient Juice Dispensing with Faucet Spout Feature
- Circular Grinding Provides More Delicate and Exquisite Juice Enjoyment
- Maximises Nutrition and Taste in Juices of Fruits, Vegetables, Grains and Grasses
- Blends Fruits, Vegetables, Sauces, Smoothies, Nuts, Grains, etc.

Scan & Watch



papa
blend
the way papa knows



BPA FREE
Able to withstand temperature up to 109 degree Celsius, prevent your beverages from being contaminated.



DC MOTOR
Extremely low noise and low vibration, but with even greater power.



AQUA ORBITUBE
Your blended fruits, nuts or vegetables will grind and circulate around the jug to provide you more delicate and exquisite juice blending experience.



8 CUTTER BLADES + GRINDER
The perfectly blended juices are easily absorbed by your body.



BLENDER



PB-426

- 1.25L • 350W
- 2-Speed with Pulse
- Stainless Steel Blade
- With Safety Lock
- Mill Attachment
- Jug Cover with Feeder Hole



PB-3103

- 1.0L • 250W
- 1-Speed
- Stainless Steel Blade
- With Stirrer
- Dual Safety Lock
- Mill Attachment



PB-3203

- 1.0L • 250W
- 1-Speed
- Stainless Steel Blade
- With Stirrer
- Safety Switch
- With Mill Attachment



PB-3203L

- 1.0L • 250W
- 1-Speed
- Stainless Steel Blade
- With Stirrer
- Safety Switch
- Without Mill Attachment



PB-3205

- Without Extra Jug

PB-3205DJ

- With Extra Jug 1.0L

PB-3205L

- Without Mill Attachment



PB-3301

- 1.0L • 250W
- 2-Speed with Pulse
- Stainless Steel Blade
- With Stirrer
- Safety Switch
- Mill Attachment

JUICE EXTRACTOR



PJ-57

- 300W
- 1-Speed
- Stainless Steel Filter
- Safety Switch



PJ-300

- 400W • 2-Speed
- With Juice & Pulp Container
- With Transparent Lid
- Anti Slip Rubber Feet
- Double Safety Lock
- Stainless Steel Filter & Blade

PJ-7001

- Power: 200W
- Powerful Pure Copper DC Motor: 200W
- Stainless Steel Housing
- Tritan BPA Free Auger with Two Cutting Blades
- Long, Continuous Working Time (10 minutes)
- Slow Speed Screw Type. RPM: 45 / Min
- Reverse Function to Prevent Blockage
- Safety Protection with Micro Switch
- Stainless Steel and Tritan Strainer with Small Holes for Fruits & Vegetables
- Frozen Treats Maker



FOOD PROCESSOR



PB-5001

- 500W • 2-Speed with Pulse
- 1.8L Jug • 1.2L Food Processor Bowl
- Motor with Overheating Protection
- Double Safety Switch
- Multi-function: Blending / Chopping / Slicing / Grating / Emulsifying / Juicing
- Accessories: Slicing Blade, 2 Shredding Blades, Chopper, Kneading Blade, Emulsifying Disc, Citrus Juicer, Blender



Blender



Chopper



Citrus Juicer



Emulsifying Disc



Shredding Blade



Shredding Blade



Slicing Blade



Kneading Blade



PB-4000

- 800ml • 350W
- 1-Speed
- Stainless Steel Blades
- Multi-function: Blender / Grinder / Chopper / Juice Extractor

PB-7511

- 500W
- 220-240V~ 50/60Hz
- 2-Speed
- Slim Handle Design
- Ergonomic Grip
- Handles Pureeing, Blending, Whisking & Chopping with Ease
- Accessories: 500ml Food Processor Bowl, 700ml Beaker, Whisk and Chopper



Scan & Watch



fitmi
by Pensonic

PERSONAL BLENDER

- 250W • 220-240V ~ 50/60Hz
- 2 X 600ml BPA free Tritan Sports Bottle
- Stainless Steel Cutter Blades
- Safety Lock Protection
- Non Slip Grip Feet
- Leak Proof Travel Lid and Snap Hook
- Blends Fruits, Vegetables and Crushes Ice
- Ideal Choice for Travellers

Scan & Watch



PB-4003B

PB-4004V

PB-4005P

YOGURT MAKER

PYM-700

- 15W
- Ready in 6 to 8 Hours
- Automatic Yogurt Maker
- Makes Seven 200ml Serving of Yogurt at Once
- Add Preferred Ingredients, Flavours and Sweetness

Scan & Watch



KETTLE / JUG KETTLE



PAB-19

- 1.8L
- 1850-2200W
- Auto Switch Off
- UK Strix Control
- Boil-dry Protection
- Illuminated On / Off Switch



PAB-110C

- 1.0L
- 840-1000W
- Auto Switch Off
- Cordless
- UK Strix Control
- Illuminated On / Off Switch
- Extra Filter



PAB-171C

- 1.7L
- 1850-2200W
- Auto Switch Off
- Cordless
- UK Strix Control
- Built-in Thermal Fuse
- Illuminated On / Off Switch
- Extra Filter



PAB-1704

- 1.7L
- 1850-2200W
- Auto Switch Off
- Cordless
- Stainless Steel Heating Element
- Boil-dry & Overheat Protection



PAB-1705

- 1.7L
- 1850-2200W
- Auto Switch Off
- Cordless
- Stainless Steel Heating Element
- Boil-dry & Overheat Protection



PAB-1706C

- 1.7L • 1850-2200W
- Auto Switch Off
- Cordless
- 360° Swivel Base
- Stainless Steel Heating Element
- Boil-dry & Overheat Protection
- Anti-slip Feet & Cord Storage
- Concealed Heating Element

KETTLE / JUG KETTLE



PAB-170CS

- 1.7L • 1850-2200W
- Auto Switch Off
- UK Strix Control • Cordless
- Illuminated On / Off Switch
- Stainless Steel Body
- Concealed Heating Element



Double Wall & Cool Touch

Stainless Steel 304

Seamless Welding



PAB-1708CS

- 1.7L • 1830W
- Auto Switch Off
- Cordless • Cool Touch
- 360° Swivel Base • Keep Warm
- Seamless, Rounded Inner Tank
- Boil-dry & Overheat Protection
- Concealed Heating Element



PAK-25C

- 5.0L
- 1850-2200W
- Auto Switch Off
- High Grade Polished Stainless Steel Body
- Boil-dry Protection



PAK-5002

- 4.2L • 2000W
- Easy One-touch Operation
- Made with Food Grade Quality Stainless Steel
- Concealed Heating Element
- Automatic Switch Off
- Boil-dry Protection

COFFEE MAKER



PCM-1900

- 800W • 1.2L (10 cups)
- On / Off Switch with Indicator Light
- Warming Plate
- Removable Filter
- Anti-drip Device
- Accessories: Measuring Spoon
- Translucent Water Tank with Level Indicator



PCM-1902

- 800W
- 1.2L (10 cups)
- Removable Filter Basket
- Anti-drip Function
- On / Off Switch with Indicator Light
- Translucent Water Tank with Level Indicator
- Warming Plate
- Accessories: Measuring Spoon

THERMO FLASK



PTF-30B

- 3.0L • 730W
- Manual Dispenser with Lock
- Auto Reboil / Keep Warm
- 360° Swivel Base
- Stainless Steel Inner Pot
- Lock / Unlock Safety Feature
- 3-way Dispenser
- Water Level Gauge



PTF-500A

- 5.0L
- 730W
- Auto Reboil / Keep Warm
- 360° Swivel Base
- Water Level Gauge
- Stainless Steel Inner Pot
- 2-way Dispenser (Button / Cup)



PTF-500E

- 5.0L
- 750W
- Auto Reboil / Keep Warm
- 360° Swivel Base
- Water Level Gauge
- Stainless Steel Inner Pot
- 2-way Dispenser (Button / Cup)



PTF-600A

- 6.0L • 730W
- Auto Reboil / Keep Warm
- 360° Swivel Base
- Water Level Gauge
- Stainless Steel Inner Pot
- 2-way Dispenser (Button / Cup)



PTF-3001

- 3.0L • 750W
- Auto Reboil / Keep Warm
- 360° Swivel Base
- Water Level Gauge
- Stainless Steel Inner Pot
- 2-way Dispenser (Button / Cup)



PTF-5001

- 5.0L • 750W
- Auto Reboil / Keep Warm
- 360° Swivel Base
- Water Level Gauge
- Stainless Steel Inner Pot
- 2-way Dispenser (Button / Cup)



PTF-5003

- 5.0L • 750W
- Auto Reboil / Keep Warm
- 360° Swivel Base
- Water Level Gauge
- Stainless Steel Inner Pot
- 2-way Dispenser (Button / Cup)



PTF-6000

- 6.0L • 730W
- Auto Reboil / Keep Warm
- 360° Swivel Base
- Water Level Gauge
- Stainless Steel Inner Pot
- 2-way Dispenser (Button / Cup)

WATER DISPENSER



PWD-200

- 750-890W
- Anti-dry Boil Protection
- Cool-touch Body
- Detachable Top Cover for Easy Cleaning
- Water Level Indicator with Night Light
- Auto Reboil & Keep Warm
- 24 Hours Standby Mode
- Stainless Steel Inner Pot
- Hot Water Capacity: 5L
- Warm Water Capacity: 2L



PWD-700

- 680W
- Stopcock Button
- Water Level Indicator
- Auto Boil & Reboil Function
- Keep Warm Function
- Easy-to-use Operation Button
- Hot Water Capacity: 5.4L
- Warm Water Capacity: 1.6L



WATER FILTER



PP-123

- Double Filtration System
- CTO Carbon Block
- 100% Coconut Shell Activated Carbon
- Removes Chlorine, Organic Chemicals, Unpleasant Odour and Colour
- Polypropylene Filter Provides Effective Filtration & Eliminates Certain Organic Toxins & Metals

💧 Cartridge: PP-123R1 / 123R2



PMP-15

- Container Capacity: 15L
- Filter Capacity: 48-71 Litres / Day
- Type of Purification: Ceramic Filtration
- Dim (mm): 660(H) x 315(W) x 315(D)

💧 Cartridge: PMP-15R1 / 15R2 / 15R3

PURE WATER SYSTEM

PFS-6

- Removes & Reduces Dirt, Solids & Harmful Bacteria
- Mild Alkaline Water Helps to Adjust pH Balance of Body Fluids
- Better Water Absorption & Enriches the Oxygen Content of Water
- Removal of Chlorine, Odour & Enhances the Water Quality
- Cartridge: PFS-6RG / 6R1 / 6R2 / 6R3 / 6R6



Baking

Haven on your countertop



PEO-4605



46L



THE BEAUTIFUL SCENT OF FRESH BAKES

Grill chicken, bake cakes & make delightful puddings with user friendly controls & wow your guests.



PERFECT 250°C ROASTS

With temperature control up to 250°C, enjoy perfectly cooked succulent roast beef, turkey or pork.



COME AND GET IT!

Once timer's off, oven automatically shuts off & chimes to let you know your dish is done as you like it.

OVEN



PEO-2304

- 23L
- 1500W
- 60 Minutes Timer with Chime
- Adjustable Temperature Control
- Automatic Shut Off
- Function Selector for Lower, Upper & Both Heaters
- Tray & Tray Handle Provided
- Toast, Grill & Bake



PEO-2305

- 23L
- 1500W
- 60 Minutes Timer with Chime
- Adjustable Temperature Control
- Automatic Shut Off
- Function Selector for Lower, Upper & Both Heaters
- Tray & Tray Handle Provided
- Toast, Grill & Bake

PEO-3804 / 4804 / 6804

- 60 Minutes Timer with Chime
- Adjustable Temperature Control
- Automatic Shut Off
- Heater and Function Selector for
 - Upper and Lower Heating with Convection
 - Lower Heating with Convection
 - Upper and Lower Heating
 - Upper Heating with Rotisserie
 - Upper and Lower Heating with Convection & Rotisserie
- Tray, Tray Handle, Rotisserie Fork & Crumb Tray Provided
- Toast, Grill and Bake
- With Inner Light



38L

PEO-3804
• 1500W

48L

PEO-4804
• 1800W

68L

PEO-6804
• 2200W



PEO-3505 / 4605 / 6605

- 60 Minutes Timer with Chime
- Adjustable Temperature Control
- Automatic Shut Off
- Heater and Function Selector for
 - Upper and Lower Heating with Convection
 - Lower Heating with Convection
 - Upper and Lower Heating
 - Upper Heating with Rotisserie
 - Upper and Lower Heating with Convection & Rotisserie
- Tray, Tray Handle, Wire Rack & Rotisserie Fork Provided
- Toast, Grill and Bake
- With Inner Light

35L

PEO-3505
• 1500W

46L

PEO-4605
• 1800W

66L

PEO-6605
• 2200W



PEO-1100

- 100L • 2700W
- Adjustable Temperature Control with Indicator Light
- Automatic Shut Off • Toast, Grill, Bake
- Combination of Heater & Function Selector for
 - Rotisserie / Convection / Rotisserie & Convection
 - Upper / Lower / Upper & Lower Heating
- Wire Rack, Baking Tray, Tray Handle, Crumb Tray, Rotisserie Fork & Rotisserie Fork Handle Provided
- Stainless Steel Body
- 60-minutes Timer Chime
- With Inner Light

100L



PEO-3500 / 4200

- 60 Minutes Timer with Automatic Shut Off & Chime
- Adjustable Temperature Control with Indicator Light
- Heater and Function Selector for
 - Upper and Lower Heating with Convection
 - Lower Heating with Convection
 - Upper and Lower Heating
 - Upper Heating with Rotisserie
 - Upper and Lower Heating with Convection and Rotisserie
- Tray, Tray Handle, Grid Iron, Rotisserie Fork and Crumb Tray Provided
- With Rotisserie & Convection Function
- With Stainless Steel Body
- With Inner Light

35L

PEO-3500
• 1500W

42L

PEO-4200
• 1800W

Scan & Watch



AE-600N

- 60L • 2000W
- 60 Minutes Timer with Automatic Shut Off & Chime
- Adjustable Temperature Control with Indicator Light
- Heater and Function Selector for
 - Upper and Lower Heating with Convection
 - Lower Heating with Convection
 - Upper and Lower Heating
 - Upper Heating with Rotisserie
 - Upper and Lower Heating with Convection and Rotisserie
- Tray, Tray Handle, Grid Iron, Rotisserie Fork and Crumb Tray Provided
- With Rotisserie & Convection Function
- Stainless Steel Body
- With Inner Light

60L

OVEN TOASTER



POT-921

- 9.0L
- 800W
- 60 Minutes Timer with Automatic Shut Off & Chime
- Tray Provided
- Toast, Grill, Bake
- Adjustable Temperature Control
- 2 High Efficiency Quartz Elements

9.0L

HAND MIXER

PM-109

- 210W
- 5-speed for Different Mixing Needs
- Turbo Powered
- Ergonomic Design for Easy Handling
- Push Button Beater Ejection
- With Beaters, Dough Hooks & Hand Blender



PM-163

- 120W
- 5-Speed for All Mixing Needs
- Positive Beater Lock
- Light Weight for Comfort Handling
- With Beaters and Dough Hooks



PM-116 (B)/ PM-116 (G)

- 300W
- 5-Speed for Different Mixing Needs
- Turbo Powered
- Light Weight, Ergonomic Design for Easy Handling
- Push Button Beater Ejection
- With Beaters and Dough Hooks



STAND MIXER

PM-209

- 210W
- 5-speed for Different Mixing Needs
- Turbo Powered
- Ergonomic Design for Easy Handling
- Push Button Beater Ejection
- Swivel Bowl for Even Mixing
- With Beaters & Dough Hooks



PM-215

- 300W • 3.5L
- 5-Speed for All Mixing Needs
- Turbo Power
- Swivel Bowl for Even Mixing
- Light Weight for Easy Handling
- Positive Beater Lock
- Unique & Easily Removed Suction Feet for Stability
- With Beaters and Dough Hooks



PM-6001

- 1000W • 5L
- Stainless Steel Mixing Bowl with Integrated Splash Guard
- Powerful 1000W Motor Handles Thick or Larger Loads of Mixing with Ease
- Tilt Head Allows Easy Access to Mixture & Attachments
- Safety Switch Settings for Safe Operation
- 8-speed Settings with Pulse Function
- Thermal Protection Prevents Overheating
- With Flat Beaters, Dough Hooks and Wire Whisk



PENSONIC
NOODLE
HOUSE

Large Fettuccine



Medium Fettuccine



Small Fettuccine



Thick Spaghetti



Thin Spaghetti



Ultra Thin Spaghetti



Udon



Macaroni



Triangular



Open Macaroni



Sliced Noodle



Ultra Thick Spaghetti



Dumpling Wrapper



fresh PASTA AND NOODLES with Amazing Tastes and Flavours!

Now, Pensonic Noodle House PNM-01 lets you enjoy fresh, preservative free noodles and pasta whether gluten free or high protein with the choice of flour just the way you want it, right at home! Health food enthusiasts and picky eaters will surely relish the vibrant hues and flavours of the tasty, nutrient rich home-made pasta and noodles made with the user friendly Pensonic Noodle House PNM-01.



BUY NOW



**Available Now at
Pensonic eStore**

CoreLine
1-800-881-770
call this number for any inquiries

www.pensonic.com

facebook
pensonicmalaysia



NOODLE MAKER

PNM-01

- 260W • 500g
- Simple, One Touch Fully Automatic Control Buttons
- Mixes, Kneads and Extrudes Fresh Dough Automatically
- Quick 3 Minutes Kneading • 4 Digit LED Display
- Different Discs for a Variety of Pasta and Noodle Shapes
- Add Water or Juice to the Flour of Your Choice for Different Types of Delicious and Nutritious Pasta, Noodles or Dumpling Skin
- Easy to Clean Food Grade Plastic Parts
- Silent, Powerful Motor • Shaping Disc Storing Compartment
- Other Accessories: Flour Measuring Container, Water Measuring Container, Dough Scraper and Cleaner

Scan & Watch



TOASTER



AK-3N

- 2 Slices
- 700W
- Auto Pop-up
- Crumb Tray
- Browning Control Knob



AK-4

- 4 Slices
- 1200W
- Auto Pop-up
- Crumb Tray
- Browning Control Knob



PT-928

- 2 Slices • 680W-820W
- Wide Slots (30mm)
- Browning Control Knob
- Removable Crumb Tray for Easy Cleaning
- Cancel Button
- Extra-lift, Auto Safety Shut Off and Auto-centering Tray



PT-929

- 2 Slices • 750W
- Wide Slots (30mm)
- Browning Control Knob
- Removable Crumb Tray for Easy Cleaning
- Cancel Button
- Extra-lift, Auto Safety Shut Off and Auto-centering Tray

SANDWICH TOASTER



PST-960

- 750W
- Durable Casing
- Non-stick Coating
- Cool-touch Housing
- With Indicator Light
- Stands Upright for Easy Storage



PST-961

- 700W
- Durable Casing
- Non-stick Coating
- Cool-touch Housing
- With Indicator Light
- Stands Upright for Easy Storage

Safe and Clean Cooking

Tempered glass lid allow easy viewing of cooking progress while boil dry protection and fireless cooking makes the appliance a safe and convenient cooking option.



Double the dish, Double the delight!

Shorten cooking time by preparing two different dishes simultaneously with the food grade, stainless steel two tier pots.

Steamer that Stir Fries

Enjoy a tasty dish of fresh, stir fried vegetables and other snacks with this multi function steamer and steamboat.



FAST, WHOLESOME & FLAVOURFUL & COOKING



PMC-1301

Food grade, corrosion
resistant stainless steel.

Food Grade
sus 304

Largest Capacity Steam Tray



MULTI COOKER

PMC-1301

• 3.0L • 1600-1900W

PMC-1501

• 5.0L • 1800-2140W

- Easily Adjustable Temperature Control (Low, Medium, High)
- Removable SUS304 Food Grade Stainless Steel Inner Pot
- Double Tier Steamer Basket to Prepare a Variety of Dishes at the Same Time
- 1 Tier Removable Interior Base to Maximize Capacity
- Tempered Glass Lid for Easy Viewing of Cooking Progress
- Boil-dry Protection

Scan & Watch



PMC-1202S

• 1.2L • 1000W

- Stainless Steel 304 Body and Heating Plate
- Cordless Multi Cooker with 360° Swivel Base
- Dry Boiling Double Safety Protection
- Steam Switch for Automatic Power Off When Water Boils
- Concealed Heating Element for Safety and Easy Cleaning
- Cool Touch Double Layer Structure and Anti Scald Protection
- Wide Mouth Design for Easy Cleaning
- Tempered Glass Lid
- Steaming Tray Provided

PMC-138

• 3.8L • 1500-1780W

PMC-150

• 5.0L • 1650-1960W

- Adjustable Temperature Control
- Removable Non-stick Inner Pot
- With Tempered Glass Lid
- Steamboat, Deep Fry, Stew



PMC-138S

• 3.8L

• 1200-1420W

- Removable Non-stick Inner Pot
- With Tempered Glass Lid & Steam Tray
- Stewing, Steaming, Stir Frying, Deep Frying

SLOW COOKER



PSC-101

• 1L • 100-120W

- Flower Design Casing
- With Indicator Light
- 3 Temperature Settings (Low, High, Auto)



PSC-301

• 3L • 215-255W

- Flower Design Casing
- With Indicator Light
- 3 Temperature Settings (Low, High, Auto)



PSC-501

• 5L • 290-345W

- Flower Design Casing
- With Indicator Light
- 3 Temperature Settings (Low, High, Auto)

PIC-2001

17

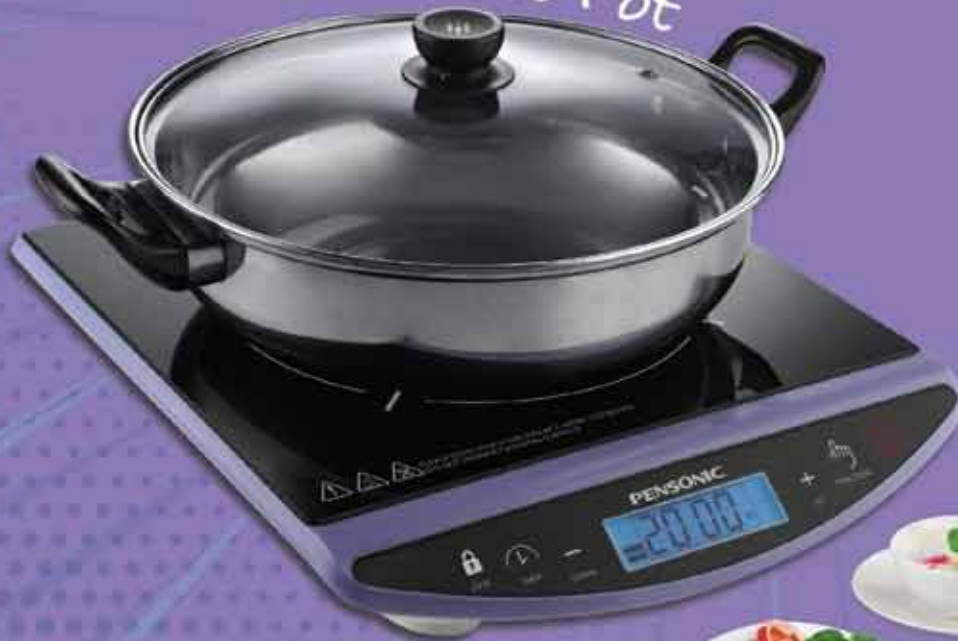
SAFE, PRECISE &



chef's like
PENSONIC
"Inspire your culinary creativity"

ENERGY EFFICIENT COOKING

Free Pot



CHILD SAFE, COOL TOUCH SURFACE

Child lock protects children from tampering with the controls and cool touch surface prevents burns.



SIMPLE CONTROLS

Easy to operate controls such as variable temperature and timer gives you best cooking results.



ENVIRONMENTALLY FRIENDLY COOKING

Induction cooker uses focused electrical heat, therefore no need for L.P.G tanks in the house.



chef's like

Pensonic Chef's Like & Dato' Chef Haji Ismail

Dato' Chef Haji Ismail

Dato' Chef Haji Ismail, who is presently the Gastronomy Tourism Ambassador for Malaysia, helps consumers discover the joys of cooking a healthy meal through his nationwide cooking tours and Pensonic cooking show on TV3. This renowned celebrity chef, who has been Pensonic Friend since 2005, uses his favourite Pensonic Chef's Like products to turn cooking into a satisfying and enjoyable experience.





PB-801 BLENDER

- 250W • 1.0L
- 2-Speed with Pulse & Stirrer
- Powerful Motor
- Stainless Steel Blade
- Dual Safety Lock
- Mill Attachment



PTF-5002 THERMO FLASK

- 750W • 5.0L
- Auto Reboil / Keep Warm
- 360° Swivel Base
- Stainless Steel Inner Pot
- Water Level Gauge
- 2 way Dispenser (Button / Cup)



PM-214 STAND MIXER

- 200W • 3.0L
- 5-Speed for All Mixing Needs
- Positive Beater Lock
- Light Weight For Comfort Handling
- Turbo Power
- Swivel Bowl For Even Mixing



PSM-1603 FOOD STEAMER

- 800W
- 9L
- 3 Steamer Containers
- With Rice Bowl
- Water Window with Side Water Refill Facility
- 60 Minutes Timer with Auto Shut Off & Chime
- Indicator Light



PMW-2004 MICROWAVE OVEN

- 20L
- Input Power: 1150W
- Output Power: 700W
- Pull Handle Door
- Painted Cavity
- Manual Control
- Cooking 'End' Signal
- Cooking Timer: 0-30 Minutes
- 6 Microwave Power Levels (Including Defrost)



PRO-910 CONVECTION OVEN

- 1200W-1400W
- Capacity: 12L (Without Extender Ring) +5L (With Extender Ring)
- Cooks Evenly
- Preserves Nutrients & Flavour of Food
- Cooks 3 to 5 Times Faster
- Functions: Roast, Bake, Toast, Grill & Warm
- Easy Operation with Timer & Temperature Control



Scan & Watch



PDF-2201 AIR FRYER

- 1200-1400W
- High Speed Air Circulation & Oil-free Cooking Technology
- 30 Minutes Timer with Auto Shut Off & Chime
- 80°C-200°C Adjustable Temperature to Allow a Variety of Food Preparations
- Stainless Steel Heating Element
- Cool Touch Housing & Anti-slip Feet

PBM-2000 BREAD MAKER

- 650W
- 19 Preset Programmes
- 3 Loaf Size Selection (1.0LB, 1.5LB, 2.0LB)
- 3 Adjustable Crust Settings (Light, Medium, Dark)
- 15 Minutes Power Interruption Backup System
- 15 Hours Programmable Delay-Start Timer
- Removable Non-stick Bowl for Easy Clean up
- Accessories : Measuring Cup, Spoon, Hook



PMC-150G MULTI COOKER

- 5.0L
- 1300W
- With Grill Pan
- Adjustable Temperature Control
- Removable Non-Stick Inner Pot
- With Tempered Glass Lid
- Braising, Stir Frying, Steamboat, Deep Frying, Grilling

PIC-2001 INDUCTION COOKER

- 2000W • Timer 0-180 Min
- LED Display Control Panel
- Stainless Steel Soup Pot
- High Quality Ceramic Glass Cooktop
- Adjustable Temperature 60°C - 240°C
- Easy Touch Control Operation
- Cool Touch Cooking Surface with Child Lock
- Environment Friendly, Flameless & Smokeless
- Safe & Easy to Clean



PENSONIC
Batik
Series

UNIQUELY MALAYSIAN

CULTURAL HERITAGE



AVAILABLE NOW

Pleasing design Cultural fashion statement on your countertop
Create awareness in the younger generation Preserve history Quality home appliances
Oven, Rice Cooker, Jug Kettle, Toaster, Coffee Maker

CoreLine
G. 888.881.177

www.pensonic.com

Instagram
pensonicmalaysia

Facebook

Scan & Watch

**PSR-1801
RICE COOKER**

- 1.8L • 700W
- 5-8 Persons
- Keep Warm Function
- Non-stick Inner Pot
- Cool-touch Housing
- With Dew Collector
- Detachable Power Cord
- Accessories: Steaming Tray, Rice Scoop, Measuring Cup

**PCM-1903
COFFEE MAKER**

- 1.25L (10 cups) • 900W
- Anti-drip Device
- Removable Funnel
- With Permanent Nylon Filter
- Water Tank with Level Indicator
- ON / OFF Switch with Light Indicator
- Keep Warm Warming Plate
- With Anti-slip Feet
- Accessory: Measuring Spoon



Scan & Watch

**AE-19NB
OVEN**

- 19L • 1380W
- 60 Minutes Timer with Chime
- Adjustable Temperature Control
- Automatic Shut Off
- Selector Knob for Lower, Upper & Both Heaters
- Tray Provided • Toast, Grill & Bake

**PT-930
TOASTER**

- 800W • 2 Slices
- Auto-centering Function
- 7 Levels Adjustable Browning Control
- With Cancel, Reheat & Defrost Functions
- Removable Crumb Tray for Easy Cleaning
- Cord Storage

**PB-802
BLENDER**

- 1.0L • 250W
- 2 Speed with Pulse & Stirrer
- Powerful Motor
- Stainless Steel Blade
- Dual Safety Lock
- Mill Attachment

**PAB-1712CS
JUG KETTLE**

- 1.7L • 1850-2200W
- Concealed Stainless Steel Heating Element
- 360°C Swivel Base & Automatic Switch Off
- Boil-dry & Overheat Protection
- Water Level Indicator
- Anti-slip feet & Cord Storage



GAS RICE COOKER



PGR-899N

- 14L • 80 Persons

PGR-888N

- 11L • 60 Persons
- Auto Ignition System
- Fully Automatic
- For LPG Use
- See-through Glass & Stainless Steel Lid

RICE COOKER



PRC-130

- 5.4L • 1950W • 30 Persons

PRC-100

- 4.2L • 1600W • 25 Persons
- Cook & Keep Warm Function
- Non-stick Inner Pot
- Cool Touch Housing
- Accessories: Rice Scoop & Measuring Cup

RICE COOKER



PSR-17L

- 1.8L • 700-832W • 5-8 Persons
- Keep Warm Function
- Cool-touch Housing
- Non-stick Inner Pot
- With Dew Collector
- Detachable Power Cord
- Accessories: Steaming Tray, Rice Scoop & Measuring Cup



PSR-1802

- 1.8L • 700W • 5-8 Persons

PSR-2802

- 2.8L • 1000W • 9-12 Persons

- Keep Warm Function
- With Dew Collector
- Cook & Keep Warm Indicator Light
- Non-stick Inner Pot for Easy Cleaning
- Accessories: Steaming Tray, Rice Scoop & Measuring Cup

PRC-6G / 10G / 12G / 18G / 25G / 36G

- Keep Warm Function • Aluminium Inner Pot • Built-in Thermal Fuse



Model	Wattage	Capacity	Persons	With Steam Tray
PRC-6G	300W-350W	0.6L	1-2	•
PRC-10G	400W-477W	1.0L	3-4	•
PRC-12G	500W-594W	1.2L	5-6	•
PRC-18G	700W-833W	1.8L	7-8	•
PRC-25G	900W-1071W	2.5L	9-12	•
PRC-36G	1350W-1600W	3.6L	13-15	

PRC-6E / 11E / 15E / 18E / 28E

- Keep Warm Function • See-through Glass Lid • Built-in Thermal Fuse



Model	Wattage	Capacity	Persons	Non-stick Inner Pot	Aluminium Inner Pot
PRC-6E	300W	0.6L	1-2	•	
PRC-11E	400W	1.0L	3-4	•	
PRC-15E	500W	1.5L	5-6	•	
PRC-18E	700W	1.8L	7-8	•	
PRC-28E	1000W	2.8L	9-12		•

CLASSIC SERIES



01 JUG KETTLE
PAB-1707CS



02 BREAD MAKER
PBM-2001S

03 FOOD STEAMER
PSM-162S



04 GLASS JUG
KETTLE
PAB-1500CG



JUICER
PJ-6900S



06 SANDWICH
TOASTER
PST-9602S



SPECTACULAR, TIMELESS, REFINED

Panasonic's Classic Series home appliances, defined by their understated elegance featuring cool, metallic exteriors with sleek lines and innovative features, perform as brilliantly as their good looks.

JUG KETTLE PAB-1707CS 01

- Power: 1850-2200W
- Capacity: 1.7L
- 360° Rotational S/S Kettle
- With Concealed Heating Element
- Automatic Lid-opening Structure
- With Water Level Indicator
- Boil Dry Protection
- Automatic Switch Off
- Anti-slip Feet and Cord Storage

BREAD MAKER PBM-2001S 02

- Power: 710W
- 15 Preset Programmes
- 3 Loaf Size Selection (1.0LB, 1.5LB, 2.0LB)
- 3 Adjustable Crust Settings (Light, Medium, Dark)
- 15 Minutes Power Interruption Backup System
- 15-hour Programmable Delay-start Timer
- Removable Non-stick Bowl for Easy Cleanup
- Accessories: Measuring Cup, Measuring Spoon, Hook

FOOD STEAMER PSM-162S 03

- Power: 800W
- Capacity: 1.2L
- Stainless Steel Housing
- 60 Minute Timer with Auto Shut Off & Chime
- Water Window with Side Water Refill Facility
- Indicator Light
- 1.0L Rice Bowl
- 2 Big Capacity Steamer Container

GLASS JUG KETTLE PAB-1500CG 04

- Power: 1850-2200W
- Capacity: 1.5L
- German Schott Glass
- Safety Auto Shut Off and Boil Dry Protection
- Ergonomic Handle with Lid Release Button
- Soft Opening Lid Prevents Splashing
- On/Off Switch with Indicator Light

JUICER PJ-6900S 05

- Power: 600W
- Capacity: 1.5L Pulp Container, 750ml Juice Cup
- 75mm Diameter Feeding Tube Available for Juicing
- Stainless Steel Housing and Blade Assembly
- Stainless Steel Filter Basket for Easy Cleaning
- Two Speed Control Section
- Overheat Protector Powerful Motor
- Safety Lock Device
- Unique Detachable Parts for Easy Cleaning and Placement
- Accessories: Cleaning Brush

SANDWICH TOASTER PST-9602S 06

- Power: 700-800W
- Cool Touch Housing
- Non-stick Coating
- Durable Casing
- Skid-resistant Feet
- Cord Storage
- Built-in Indicator Light

BBQ GRILL & HOTPOT

Experience a Whole New
Level of Taste & Flavour

Become a BBQ and Hot Pot Pro

Whether juicy meats, burgers or
crispy vegetables, non-stick
coating and die-cast plate cooks
food to perfection, without
sticky remnants to clean up later.



Portable, Convenient, Stylish

Convenient carry handle and
detachable thermo-controller
lets you enjoy BBQ and Hot Pot
indoors and outdoors. Looks
amazing on your table too!



No More Waiting!

Food cooks faster and is tastier
with rapid cooking and even
heating.



STEAMBOAT



PSB-128S

- 3.8L • 1600W
- See-through Glass Lid
- Adjustable Temperature Control
- Short Heat-up Time
- Removable Stainless Steel Pot for Easy Cleaning & Storage



PSB-131G

- 2.5L • 1900W
- Dimension 370mm
- Detachable Thermo-controller
- Rapid & Even Heating
- Heat Insulation & Convenient Handle
- Non-stick Coating Die-cast Plate
- BBQ Grill & Hot Pot

PSB-130G

- 3.0L • 2100W
- 2-in-1 Steamboat and BBQ
- Steamboat- 1600W
- BBQ- 500W
- Steamboat and BBQ Can Be Used at the Same Time or Separately
- Heats Up Quickly and Evenly
- With Tempered Glass Lid
- Removable Non Stick Pot for Easy Cleaning



CERAMIC COOKER

PCC-2200D

- 2200W
- Knob and Touch Control
- Slim Body with Aluminium Alloy Base
- Power and Temperature Adjustable
- Boost Function
- Memory Function
- Portable with Handles
- Multi Cooking Menu: Boil, Stir fry, Soup, BBQ, Hot Pot
- Accessories: Grill Rack, BBQ Pan with Oil Collector



CERAMIC GLASS STAINLESS STEEL CLAY POT GRILL RACK BBQ PAN WITH OIL COLLECTOR

INDUCTION COOKER



PIC-20

- 2000W
- LCD Display Control Panel
- Ceramic Glass Cook Top
- Child Lock
- Intelligent Micro-computer Control with Touch Sensor
- Cool-touch Cooking Surface
- With Stainless Steel Soup Pot
- 3 Preset Functions: Soup, Rice, Milk
- 4 Adjustable Functions: Stir Fry, Hot Pot / Steamboat, Keep Warm & Power



PIC-2002

- 2000W • Timer 0- 180 Min
- Stainless Steel Soup Pot
- High Quality Ceramic Glass Cooktop
- LCD Display Control Panel
- Adjustable Temperature 60°C-240°C
- Easy Touch Control Operation
- Cool Touch Cooking Surface with Child Lock
- Electronic Overheating Protection
- 3 Preset Menu: Stir-fry, Milk & Keep Warm
- Environment Friendly, Flameless & Smokeless • Safe & Easy to Clean

TABLE GRILL



PTG-101G

- 1500W-1700W
- Large Cooking Surface
- Non-stick Coating Plate. Ribbed for Grilling and Flat Surface for Stir Frying
- Adjustable Temperature Control and Power On Indicator
- Detachable Cooking Plate with Serving Handles
- Detachable Drip Tray for Easy Cleaning
- With Clear Tempered Glass Lid

STEAMER



PSM-1600S

- 1350W
- Tank: 4L, Steam Tray: 4L each
- Double Tier Steamer Basket to Prepare a Variety of Dishes at the Same Time
- Stainless Steel, Multi-function Food Steamer for Steaming, Stewing & Boiling
- 60 Minute Timer with Auto Shut Off
- Boil-dry Protection
- Tempered Glass Lid for Easy Viewing of Cooking Progress



Steam



Cake



Rice



Poultry

GETS THE JOB DONE EFFICIENTLY

Pressure cooking uses less liquid & compared to baking, boiling, or steaming, may reduce your cooking time & energy consumption by 70%.



Soup



Meat

SAVES COUNTERTOP SPACE

This multi-function product is a 3 in 1 pressure cooker, electric rice cooker and thermal cooker.



Beans

QUICK, HEALTHY MEALS IN MINUTES

Make a variety of fast, delicious & nutritious meals at the touch of a button with preset menus.



Saute

PRESSURE COOKER

Sumptuous Results in Less Time

PPC-1808



PRESSURE COOKER

PPC-1807

- 5.0L • 900W
- Mechanical Control
- Stainless Steel Housing with Non-stick Inner Pot
- Multi-function: Keep Warm, Rice, Soup, Chicken, Beans and Meat
- Preserves Nutrition
- Saves Energy Consumption and Cooking Time



PPC-1808

- 5.0L • 900W
- Digital and Mechanical Controls
- Stainless Steel Housing with Non-stick Inner Pot
- 14 Smart Programs that Meets All Cooking Needs
- Preserves Nutrition
- Saves Energy Consumption and Cooking Time
- 5 Pressure Levels and 3 Texture Settings to Cook a Wide Variety of Dishes

COMMERCIAL STOVE



PGS-31C

- Dual Ring
- Automatic Ignition
- For L.P.G. Use
- G.W.: 6.10kgs
- N.W.: 5.50kgs
- Size: 540 x 310 x 150(mm)



PGS-41C

- Dual Ring
- Automatic Ignition
- For L.P.G. Use
- G.W.: 7.70kgs
- N.W.: 7.00kgs
- Size: 600 x 345 x 150(mm)

PORTABLE GAS COOKER



PPG-2002N

- 1.6kg
- Variable Flame Control
- Unique Gas Cartridge System with Liquid Guard & Refillable Cartridge
- Dim (mm): 332L x 290W x 102H

SINGLE BURNER GAS COOKER



PGC-1001S

- 100mm
- Stainless Steel Body
- Durable Trivet



GAS COOKER

IGNITE YOUR CULINARY PASSION

PGC-2201G

- 90 / 90mm
- Slim Glass-top
- 6mm Tempered Glass
- For L.P.G Use
- Auto Ignition



Scan & Watch



NO MORE CLOGGED BURNERS!

Uniquely designed, hidden oblique burner holes ensure burner holes stay clear longer compared to ordinary stoves.



ENVIRONMENTALLY FRIENDLY COOKING

Has higher heat efficiency to save energy and 60% lower carbon emissions than international standards requirements.



FOCUSED, POWERFUL FLAMES

Strong, 25 degree tangential whirlwind like flames deliver even and precise heat for best cooking results.



PGC-3201G

- 6mm Toughened Safety Glass
- Burner Size: 90 X 90 (mm); 40 X 40 (mm)
- Gas Consumption: Left: 3.0kW; Center: 1.0kW; Right: 3.5kW
- Titanium Alloy Cap • For L.P.G Use • Super Slim Body
- Base: Polished Stainless Steel Cast Iron
- Enamelled Pan Stand
- Automatic Piezo Ignition
- Superior Heat Efficiency



PGC-5601S

- 0.4mm Full Stainless Steel Body
- Burner Size: 105 X 105 (mm)
- Gas Consumption: 4.5kW
- Cast Iron Burner
- Titanium Alloy Cap
- For L.P.G Use
- Cast Iron Pan Stand
- Automatic Piezo Ignition
- Superior Heat Efficiency



PGC-8801S

- 0.5mm Stainless Steel • Burner Size: 90 X 90 (mm) • Grill
- Gas Consumption: Left: 3.5kW; Center: 2.2kW; Right: 4.0kW
- Cast Iron Burner • Titanium Alloy Cap
- Base: 0.5mm Cold-Rolled Steel with Painting
- Enamelled Pan Stand
- Automatic Piezo Ignition
- Superior Heat Efficiency



GRILL FUNCTION

BUILT-IN HOB



PGH-412N

- With Mirror Finishing
- Rate Heat Input: 7.2kW
- Low Gas Consumption
- 2 Burners with Tempered Glass Top
- Battery Operated Auto Ignition System
- Inner Dim. (mm) : 630 x 345
- Durable Trivet



PGH-413N

- With Mirror Finishing
- Rate Heat Input: 8.4kW
- 3 Burners with Tempered Glass Top
- Battery Operated Auto Ignition System
- Inner Dim. (mm): 680 x 380
- Enamel Trivet



PGH-422N

- 2 Burners with Tempered Glass Top
- Rate Heat Input: 7.2kW
- Battery Operated Auto Ignition System
- Inner Dim. (mm): 630 x 345
- Durable Trivet

DOUBLE BURNER GAS COOKER



PGC-26N

- 100 / 100mm
- Epoxy Coated Body
- Auto Ignition • Durable Trivet



PGC-27N

- 100 / 100mm
- Epoxy Coated Body
- Durable Trivet



PGC-28S

- 100 / 100mm
- Stainless Steel Body
- Durable Trivet



PGC-55S

- 120 / 120mm
- Brass Cap
- Stainless Steel Body
- Auto Ignition • Durable Trivet



PGC-2140S

- 140 / 140mm
- Gas-saving Up to 25%
- Stainless Steel Body
- With 7 Jet Head-burner
- Auto Ignition
- Enamel Trivet

BUILT-IN COOKER HOOD



PCH-801S

- Power: 222W • LED Light
- 3-Speed Control Button
- Suction Power: 1000m³/h
- Product Dimensions:
900L x 510W x (Min 510 - Max 910)H(mm)



LOW MEDIUM HIGH LIGHT ON/OFF



PCH-803G

- Power: 221W • LED Light
- 3-Speed Smart Button
- Suction Power: 1000m³/h
- Product Dimensions:
900L x 510W x (Min 565 - Max 915)H(mm)



LOW MEDIUM HIGH LIGHT ON/OFF



PCH-804G

- Power: 222W • LED Light
- 3-Speed Control Button
- Suction Power: 1000m³/h
- Product Dimensions:
900L x 500W x (Min 540 - Max 940)H(mm)



LOW MEDIUM HIGH LIGHT OFF/RELAY



PCH-806G

- Power: 190W • LED Light
- 3-Speed Smart Button
- Suction Power: 800m³/h
- Product Dimensions:
900L x 500W x (Min 515 - Max 955)H(mm)



LOW MEDIUM HIGH LIGHT ON/OFF RELAY TIMER



PCH-807S

- Power: 280W • LED Light
- 3-Speed Smart Button
- Suction Power: 1200m³/h
- Product Dimensions:
895L x 500W x (Min 580 - Max 1065)H(mm)



LOW MEDIUM HIGH LIGHT ON/OFF TIMER

BUILT-IN GAS HOB



PGH-617G

- Tempered Glass • Safety Valve
- 120mm x 120mm Burner Head
- Rated Heat Input: 8.6kW(625g/h)
- Cut-piece Stainless Steel Cap
- Auto Battery Operated Ignition
- Cast Iron Trivet • For L.P.G Use
- Product Dimensions: 760 x 450(mm)



PGH-618G

- Tempered Glass • Safety Valve
- 110mm x 40mm x 120mm Burner Head
- Rated Heat Input: 8.35kW(607g/h)
- Cut-piece Stainless Steel Cap
- Auto Battery Operated Ignition
- Cast Iron Trivet • For L.P.G Use
- Product Dimensions: 780 x 460(mm)



PGH-619S

- Stainless Steel • Safety Valve
- 110mm x 120mm Burner Head
- Rated Heat Input: 7.7kW(560g/h)
- Cut-piece Stainless Steel Cap
- Auto Battery Operated Ignition
- Cast Iron Trivet • For L.P.G Use
- Product Dimensions: 720 x 410(mm)

BUILT-IN OVEN



PBO-5603M

- Power: 3000W • 65L
- Fan Grilling • Radiant Grilling
- Full Grilling • 8 Functions
- Convectional Heat • Bottom Heat
- 3-layer Glass Door
- Mechanical Controller
- Product Dimension : 595L x 575W x 595H(mm)
- Cut Out Dimension : 600L x 570W x 600H(mm)



PBO-5604D

- Power: 3000W • 70L • SUS Stainless Steel
- 50-250°C Temperature Control • 9 Functions
- Sensor Touch Controller • LCD Display • 3-layer Glass Door
- Removable Oven Door & Rack Support
- Tempered Glass Door • Timer Setting
- Energy Efficiency: A Grade • Child Lock
- Product Dimension: 595L x 575W x 595H(mm)
- Cut Out Dimension: 606L x 570W x 600H(mm)



BUILT-IN MICROWAVE OVEN



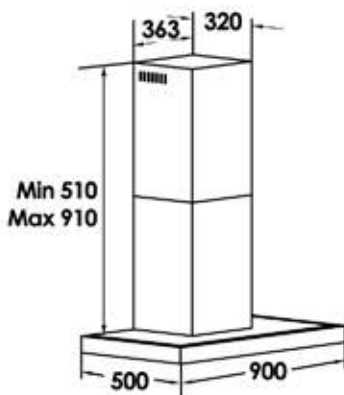
PBW-2501D

- Power: 1450W • 25L • Digital Control
- 8 Auto-cooking Programmes
- Microwave • Grill • Defrost
- Aluminium Handle Door
- With Child Lock Function
- Product Dimension : 594L x 410W x 388H(mm)
- Cut Out Dimension : 568L x 500W x 382H(mm)

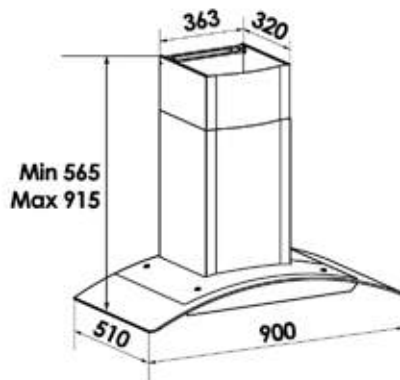


BUILT-IN COOKER HOOD

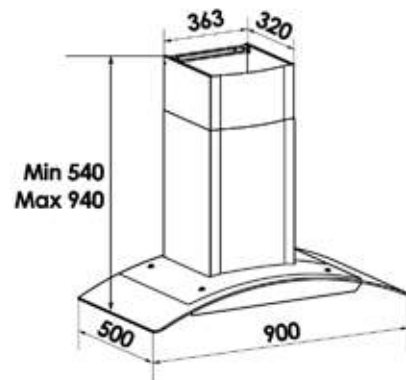
PCH-801S



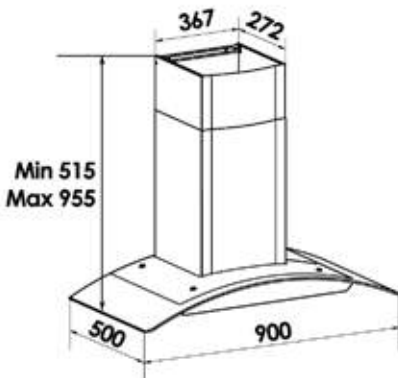
PCH-803G



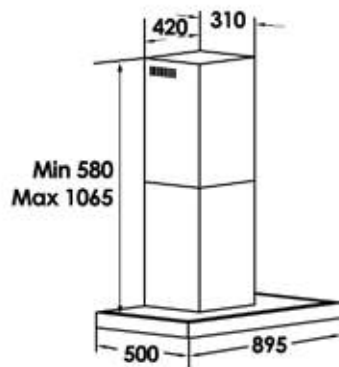
PCH-804G



PCH-806G

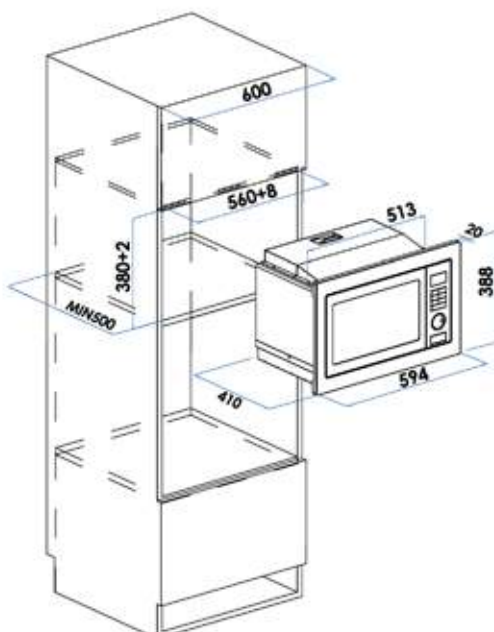


PCH-807S



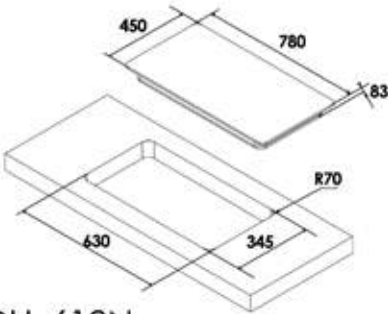
BUILT-IN MICROWAVE

OVEN PBW-2501D

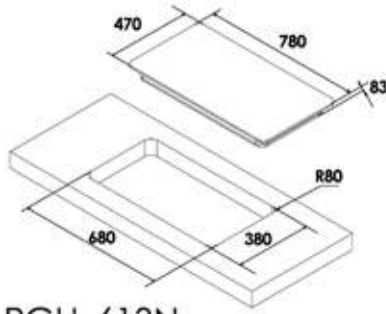


*It is advisable to use actual product for measurement prior to installation.

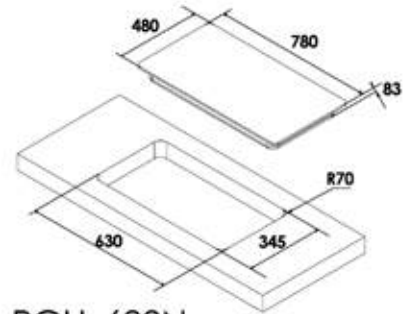
BUILT-IN GAS HOB



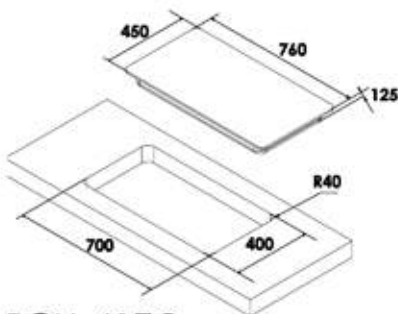
PGH-412N



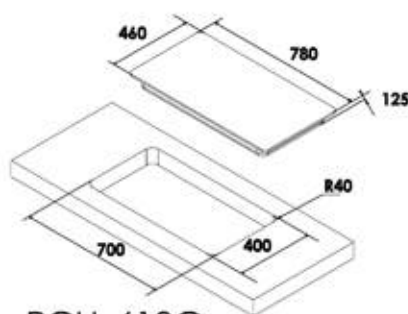
PGH-413N



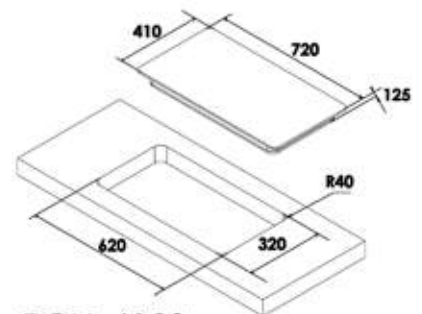
PGH-422N



PGH-617G



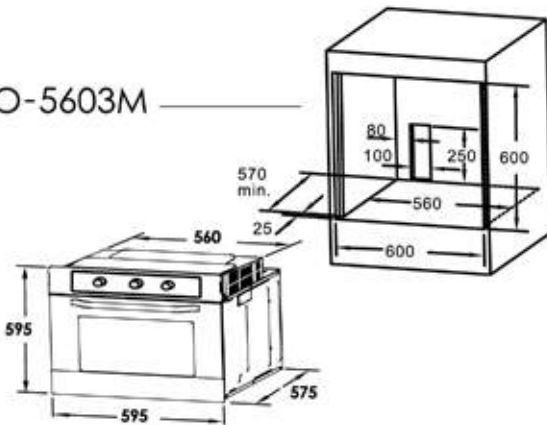
PGH-618G



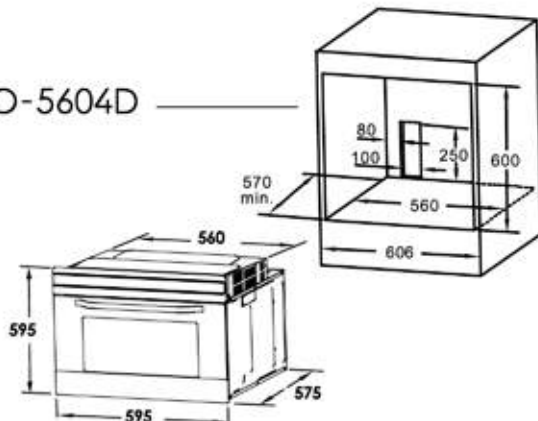
PGH-619S

BUILT-IN OVEN

PBO-5603M



PBO-5604D



*It is advisable to use actual product for measurement prior to installation.

Longevity
nutritious taste of home cooking



PENSONIC

Experience the Nutritious
Taste of Home Cooking with
Pensonic's Longevity Series



get 2 weeks of
DETOX RECIPES



www.facebook.com/pensonicmalaysia

A healthy and balanced diet will ensure your brain and body receive the nutrients and energy needed to increase your productivity at work, give you that youthful glow and have a better quality of life.

The Longevity Series Cookware range comprises safe and healthy rice cookers made of the nutrition enhancing Purple Clay, ceramic double boilers and steamer to help you prepare food the easy way to lock in essential nutrients while retaining its natural colour, flavour and taste. The result is deliciously healthy food that is nutritious and fresh, with the tasty goodness of a home cooked meal.



PRC-20AC PURPLE CLAY MULTI-PURPOSE RICE COOKER

- A variety of rice cooking options such as White Rice, Clay Pot Rice, Glutinous Rice, Congee, Soup.
- 2L high quality Purple Clay inner pot ensures thorough and nutritious cooking while preserving natural flavour of food.
- Double Purple Clay lid cooking method effectively seals in nutrition.
- Timer can be set to begin cooking by a desired time up to a maximum of 9.9 hours.
- 8 hours Keep Warm function ensures food is kept warm until required.
- 600W

**2L High Quality
Purple Clay
Inner Pot**



**X2 Lid
effectively seals
in nutrition**



Scan & Watch





PSR-30AC PURPLE CLAY RICE COOKER

- Cooks fluffy rice, nourishing porridges and soups.
- Bigger capacity 3L high quality Purple Clay inner pot facilitates optimum cooking, keeping nutrition and taste intact.
- Double lid cooking method effectively seals in nutrition.
- 8 hours Keep Warm function ensures food is kept warm until required.
- 500W

**3L High Quality
Purple Clay
Inner Pot**



**X2 Lid
effectively seals
in nutrition**



PDB-283 CERAMIC DOUBLE BOILER

- Ideal for making sumptuous stews, appetising steamed dishes and light porridges with 8 preset computerised control modes.
- Comes with a 2.2L and two 0.5L ceramic pots to prepare many dishes in one go, saving time and energy.
- Timer can be set to complete cooking by a desired time up to a maximum of 9.5 hours.
- Boil dry protection safety feature will shut off appliance when there is no liquid in the pot.
- Transparent lid allows viewing of cooking progress while ceramic inner pot facilitates even cooking.
- 380-470W



0.5L



2.2L



0.5L



2.5L

PDB-453 CERAMIC DOUBLE BOILER

- Ideal for making sumptuous stews, appetising steamed dishes and light porridges with 8 preset computerised control modes.
- Comes with a 2.5L and three 0.5L ceramic pots to prepare many dishes in one go, saving time and energy.
- Timer can be set to complete cooking by a desired time up to a maximum of 9.5 hours.
- Boil dry protection safety feature will shut off appliance when there is no liquid in the pot.
- Glass lid allows viewing of cooking progress while ceramic inner pot facilitates even cooking.
- 400-500W



0.5L



2.5L

Scan & Watch



3.0L



3.0L



PSM-1604 CERAMIC STEAMER

- Comes with 7 preset computerised control modes including Rice, Meat, Corn, Chicken, Ribs, Vegetables and Dessert.
- Two 3.0L ceramic trays are provided to allow preparation of two tasty dishes simultaneously to save time and energy.
- Timer can be set to complete cooking by a desired time up to a maximum of 9.5 hours.
- Transparent water level indicator and double water inlets help in easy filling of water.
- Boil dry protection safety feature will shut off appliance when there is no liquid in the pot.
- 650-775W

By **PENSONIC**

life is such a
BREEZE

PAC-104M



KEEP YOUR COOL

Double ice packs with 3 fan speeds deliver cooler, filtered, fresh air for optimum comfort.



CLEANER, COOLER, FRESHER

Excellent cyclic sprinkling water pump system for optimum humidity, cooler & fresher air.



NEVER LEAVES YOU

Take this adorable, portable air cooler into any room where you are, and enjoy cooling comfort even when the temperature rises.



AIR COOLER

PAC-105M

- 65W
- 3 Fan Speeds (1 / 2 / 3)
- Horizontal Auto-swing & Manually Adjustable Vertical Air Flow
- With Honeycomb Filter, Dust-proof Filter & 7L Water Tank
- Excellent Cyclic Sprinkling Water Pump System for Optimum Humidity, Cool & Fresh Air
- 2 Ice-packs for Cooler Effect



PAC-101M

- 60W • 3 Fan Speeds (Hi / Med / Low)
- Horizontal Auto-swing & Manually Adjustable Vertical Air Flow
- Excellent Cyclic Sprinkling Water Pump System for Optimum Humidity, Cool & Fresh Air
- With Honeycomb Filter, Dust-proof Filter & Removable Water Tank
- 2 Ice-packs for Cooler Effect
- Mechanical Control Panel
- Removable 4L Water Tank



PAC-104M

- 65W
- 3 Fan Speeds (1 / 2 / 3)
- Horizontal Auto-swing & Manually Adjustable Vertical Air Flow
- Excellent Cyclic Sprinkling Water Pump System for Optimum Humidity, Cool & Fresh Air
- 2 Ice-packs for Cooler Effect
- With Honeycomb Filter, Dust-proof Filter & 7L Water Tank



PAC-303I

- 65W • 3 Fan Speeds (Hi / Med / Low)
- Pure Natural Plant Fiber Cooler Master for Effective Cool & Fresh Air
- With Ion Function
- 7.5 Hours Timer
- Infrared Remote Control with LED Display
- Horizontal Auto-swing & Manually Adjustable Vertical Air Flow
- With Honeycomb Filter & Dust Proof Filter
- 8L Large Capacity Water Tank



PAC-323

- 160W • 3 Fan Speeds (Hi / Med / Low)
- 2-wind Mode (Normal / Sleep)
- 3-in-1 Combination of Fan, Air Cooler Humidifier & Ioniser
- Multi-function Control Panel with Remote Control • 24-hour Timer
- Horizontal & Vertical Auto-swing
- With Honeycomb Filter & Dust-proof Filter
- 2 Ice-packs for Cooler Effect
- Excellent Water Pump Sprinkling Cyclic System for Optimum Humidity, Cool & Fresh Air
- Removable 20L Water Tank



4L WATER TANK

PAC-325

- 80W • 3 Speeds with 3 Wind Modes (Natural / Normal / Sleep)
- With Honeycomb Filter & Dust-proof Filter
- Full Function Remote Control with 7.5 Hour Timer
- Horizontal Auto-swing & Manually-adjust Vertical Air Flow
- Excellent Cyclic Sprinkling Water Pump System for Optimum Humidity, Cool & Fresh Air
- 2 Ice-packs for Cooler Effect
- Removable 4L Water Tank



3L WATER TANK

PAC-2001RI

- 55W • 3 Speeds with 3 Wind Modes (Natural / Normal / Sleep)
- 1-9 Hours Timer
- With Ioniser to Purify Air
- 80 Degree Oscillation
- Digital Display & Remote Control
- Removable Back Cover with Safety Switch
- Sprinkling Cycling System Water Pump Assists in Cooling the Room Temperature with Ice and Water
- Space Saving Slim Design
- 3L Water Tank

MIST FAN



2.5L WATER TANK

PAC-320H

- 90W
- 3-in-1 Combination of Fan, Ultrasonic Mist, Humidifier & Ioniser
- 9-hour Timer
- 2.5L Water Tank
- With 4 Wheels, Easy to Move
- 3 Fan Speeds (Hi / Med / Low)
- Multi Function Remote Control & Colourful LED Display
- The Photocatalyst Function Can Break Down Harmful Substances in the Air & Inhibits Bacteria Growth



2.5L WATER TANK

PAC-321H

- 90W
- 3-in-1 Combination of Fan, Ultrasonic Mist, Humidifier & Ioniser
- 9-hour Timer
- 2.5L Water Tank
- With 4 Wheels, Easy to Move
- 3 Fan Speeds (Hi / Med / Low)
- Multi Function Remote Control & Colourful LED Display
- The Photocatalyst Function Can Break Down Harmful Substances in the Air & Inhibits Bacteria Growth

TOWER FAN



PTW-111

- 45W
- Height 29"
- 3-speed
- Oscillation Function
- 2-hour Timer
- Rotary Switch



PTW-200R

- 50W • Height: 40" • 3-speed
- Multi-function with LED Indicator
- Natural Mode Function
- Multi-function Remote Control
- 7-hour Timer
- Easy Operation Soft Touch Control Panel



PTW-201RI

- 65W • Height: 40.5"
- 3-speed
- 3 Wind Modes
- 90° Horizontal Oscillation
- 1, 2, 4, 8-hour Timer Function
- Elegant Design with LED Display
- With Remote Control



PTW-203RI

- 70W • Height: 44" • 3-speed
- Selectable Single or Dual Fan Blow Function
- 3 Wind Modes (Normal / Natural / Sleeping)
- 80° Horizontal Oscillation
- 1, 2, 4, 8-hour Timer Function

BOLD

TO BE LONG

Be Daring. Get a Bold Fan

The stylish BOLD Fan's durable motor, sturdy base and robust blades are shaped for maximum wind production, to keep you unbelievably cool even in the hottest weather. Comes with a definitely not to be missed quality guarantee of one to one exchange warranty for one year.

Terms & Conditions apply.

“
ONE to ONE
exchange warranty
”



PSF-4502

16" Stand Fan

- 50W • 3-Speed
- Strong Base & Motor
- Motor with safety fuse



PF-3102

12" Table Fan

- 35W • 3-Speed
- Heavy Base for Stability
- Motor with safety fuse



PF-4102

16" Table Fan

- 50W • 3-Speed
- Heavy Base for Stability
- Motor with safety fuse



TABLE FAN



PF-41A

- 50W • 16" (400mm)
- 3-speed
- Motor with Safety Fuse



PF-41B

- 50W • 16" (400mm)
- 3-speed
- Motor with Safety Fuse



PF-3100

- 35W • 12" (300mm)
- 3-speed
- Motor with Safety Fuse



AF-30B

- 35W • 12" (300mm)
- 3-speed
- Motor with Safety Fuse



PF-4100

- 50W • 16" (400mm)
- 3-speed
- Motor with Safety Fuse

STAND FAN



PSF-18

- 70W • 3-speed
- 18" (450mm)
- Wide Angle Automatic Swing
- 3 Slim Aerodynamic Blades
- Heavy Steering Base for Stability



PSF-45

- 50W
- 3-speed
- 16" (400mm)
- Motor with Safety Fuse



PSF-45B

- 50W
- 3-speed
- 16" (400mm)
- Motor with Safety Fuse



PSF-360

- 50W • 3-Speed
- 16" (400mm)
- With 360° Rotation & Up-down Oscillating
- 2 Wind Modes: Normal & Rhythmic
- LCD Display with 8 Hours Timer
- 13-Angle Oscillation Mode: 0°, 30°, 60°, 90°, 120°, 150°, 180°, 210°, 240°, 270°, 300°, 330°, 360°
- With Remote Control and Memory Function



PSF-4500

- 50W
- 3-speed
- 16" (400mm)
- Motor with Safety Fuse



PSF-4503BK

- 50W
- 3-speed
- 16" (400mm)
- Motor with Safety Fuse



PSF-4504BG

- 50W
- 3-speed
- 16" (400mm)
- Motor with Safety Fuse



PSF-4505GY

- 50W
- 3-speed
- 16" (400mm)
- Motor with Safety Fuse

PSF-4601 / PSF-4602R

- 50W
- 3-speed
- 16" (400mm)
- Special 4-in-1 Multi Oscillating Function
- Motor with Safety Fuse



PSF-4602R

- Rhythmic Mode
- With Remote Control

METAL FAN



PSF-4603B



PF-3103B

PSF-4603B

- 60W • 3-speed
- 16" (400mm)
- Wide Angle Automatic Swing
- Motor with Safety Fuse
- Heavy Base for Stability
- Adjustment Height
- Energy Saving
- 4 Metal Blades
- Spider Fan Guard

PF-3103B

- 45W
- 3-Speed
- Wide Angle Automatic Swing
- Motor with Safety Fuse
- Heavy Base for Stability
- Energy Saving
- 4 Metal Blades
- Spider Fan Guard



PSF-4604Y



PF-3104Y

PSF-4604Y

- 60W • 3-speed
- 16" (400mm)
- Wide Angle Automatic Swing
- Motor with Safety Fuse
- Heavy Base for Stability
- Height Adjustment
- Energy Saving
- 4 Metal Blades
- Spider Fan Guard

PF-3104Y

- 45W
- 3-Speed
- Wide Angle Automatic Swing
- Motor with Safety Fuse
- Heavy Base for Stability
- Energy Saving
- 4 Metal Blades
- Spider Fan Guard

WALL FAN



PWF-4801R

- 50W • 16" (400mm) • 3-speed
- With Remote Control
- Random / Sleep Mode / Timer / Rhythm / Speed
- Motor with Safety Fuse



PWF-48

- 50W
- 16" (400mm)
- 3-speed
- Motor with Safety Fuse



PWF-68

- 50W
- 16" (400mm)
- 3-speed
- Motor with Safety Fuse



PWF-18A

- 70W
- 18" (450mm)
- 3-speed
- Metal Fan Blades

BOX FAN

PBF-147

- 60W • 16" (400mm)
- 3 Fan Speeds
- With 2-hour Timer Function
- Rotating Louver with On / Off Switch



INDUSTRIAL FAN



PWF-2000

• 20" • 120W

PWF-2600

• 26" • 160W

PWF-3000

• 30" • 200W

- 3-speed Rotary Control
- With Swing Function
- 2 Metal Blades for Maximum Air Flow
- Motor with Built-in Thermal Protection



PWF-20A

- 155W • 20" (470mm)
- 3-speed Rotary Control
- With Swing Function
- 3 Metal Blades for Maximum Air Flow
- Motor with Built-in Thermal Protection



PFF-1800

• 18" • 115W

PFF-2000

• 20" • 155W

- 4-speed Rotary Control
- 3 Metal Blades for Maximum Air Flow
- With Swing Function
- Motor with Built-in Thermal Protection



PSF-2000

• 20" • 120W

PSF-2600

• 26" • 160W

PSF-3000

• 30" • 200W

- 3-speed Rotary Control
- Height Adjustable
- 2 Metal Blades for Maximum Air Flow
- With Swing Function
- Motor with Built-in Thermal Protection

CIRCULATION FAN



PF-50901

- 45W • 9"
- 3-speed Control
- Manually Adjustable 90° Vertical Air Flow
- Motor with Safety Fuse



PF-50902

- 45W • 9"
- 3-speed Control with Fixed Angle / Auto Oscillation
- Manually Adjustable 90° Vertical Air Flow
- 70° Horizontal Auto Oscillation
- Motor with Safety Fuse



PF-51001

- 60W • Size: 254mm (10")
- 4-speed Rotation Control
- 4 Oscillation Control (Vertical / Horizontal / 3D / Off)
- 3D Oscillation (Simultaneous Rotation 90° Vertical & 60° Horizontal)
- Motor with Safety Fuse

CEILING FAN



PCF-60B

- 85W • 60" (1500mm)
- Pure Copper Motor
- 5-speed Regulator Control
- Double Ball Bearing



PCF-6001B

- 72W • 60" (1500mm)
- Black Color
- Pure Copper Motor
- 5 Speed Regulator Control
- Safety Wire for Maximum Safety Protection
- Motor with Safety Thermal Fuse Protection



PCF-6000

- 72W • 60" (1500mm)
- Pure Copper Motor
- 5 Speed Regulator Control
- Safety Wire for Maximum Safety Protection
- Motor with Safety Thermal Fuse Protection

EXHAUST FAN



PEX-060 / 080 / 100 / 120

- Low Noise Operation • Highly Efficient Motor for Energy Saving
- Highly Efficient Air Delivery • Automatic Shutter
- Easy Installation and Cleaning • Motor with Safety Fuse

Model	PEX-060	PEX-080	PEX-100	PEX-120
Size(inc.)	6"	8"	10"	12"
Power(W)	25	30	35	45
Air Delivery(m ³ /min)	4.1	8.1	12.0	18.0
Speed	1350-1500	1200-1450	1100-1400	1050-1350
Sound Level(dB)	40	42	45	52
Net Weight(kg)	1.50	2.06	2.30	2.95

VACUUM CLEANER

PVC-3102C

- 1800W • 2.5L
- Bagless Cyclonic System
- Swivel Front Wheel for Easy Movement
- Strong Suction Power
- Accessories: Plastic Tubes, Plastic Floor Brush, Flexible Hose & Crevice Tool



PVC-22B

- 1220W • 3.0L
- Automatic Cord Rewinder System
- Dust Bag Full Indicator
- 5 Layer Filtration System
- Cord Length: 5.0M
- Foot Pedal for On / Off



PVC-211

- 1220W • 32L
- Strong Blowing Function
- Washable Filter
- Dry / Wet / Blow Vacuum Cleaner
- Durable Plastic Blow Tank
- Powerful Suction for Waste Water



PVC-3101

- 2000W • 4.5L
- Powerful Motor
- Swivel Front Wheel
- Safety Valve
- Power Regulator
- Strong Suction Power
- Dust Bag Full Indicator
- Cord Rewind System
- Accessories: Plastic Tubes, Plastic Floor Brush, Flexible Hose, Crevice Tool, Dust Bag



PVC-3600S

- 1850W • 36L
- Dry / Wet / Blow Vacuum Cleaner
- Powerful Suction for Waste Water with Accessories
- Strong Blowing Function with Lower Noise • Stainless Steel Tank
- Washable Filter
- Accessories: Master Nozzle, Squeeze Nozzle, Crevice Tool, Ellipse Brush and Extension Wands

INSECT KILLER



PIK-11

- 15W • Safe & Natural Way to Trap Mosquitoes
- Chemical Free - Non Poisonous & Odourless
- Quiet & Reliable DC Fan - Low Power Consumption
- Built-in Funnel to Prevent Mosquito Escape
- Dumet UV Light with Reliable/Stable Wave Length
- Photo Sensor to Switch On / Off
- Effective Area: 60M²



PIK-22

- 15W
- Safe & Natural Way to Trap Mosquitoes
- Chemical Free - Non Poisonous & Odourless
- Quiet & Reliable DC Fan - Low Power Consumption
- Built-in Funnel to Prevent Mosquito Escape
- Dumet UV Light with Reliable / Stable Wave Length
- Effective Area: 60M²

MULTIPURPOSE LIGHT

PEL-3T

- 360° Light Distribution
- 3 / 2 / 1 Fluorescent Tube Function Selector
- Emergency Light
- Green LED Operating Indicator
- Red LED Charging Indicator
- 6V 4Ah Sealed Lead Acid Rechargeable Battery
- 3x10W Fluorescent Tube
- Operating Hours: 1.5-6 Hours
- Suitable for Camping, Fishing



boQua

de Splash

Experience Sheer
Showering Pleasure



2.5 MILLION
PRODUCT LIABILITY

10 YEARS
ANTI LEAK TANK
WARRANTY

5 YEARS
HEATING ELEMENT
WARRANTY

5 YEARS
DC PUMP
WARRANTY
*For Selected Models Only

1 YEAR
GENERAL
WARRANTY



PWH-1001SPR

- With DC Silent Pump • Mesh Filter
- Double Safety Protection
- 5 Spray Pattern Handshower
- Variable Temperature Control
- Splash Proof Protection
- Suitable for High & Low Water Pressure
- 3 in 1 Stop Valve with Rain Shower Set

5 SPRAY
PATTERNS
HAND SHOWER

**STRONG
& SILENT**

**RAIN
SHOWER
SET**

PWH-911SP



- With DC Silent Pump • Mesh Filter
- Double Safety Protection
- 5 Spray Pattern Handshower
- Variable Temperature Control
- 3-in-1 Stop Valve • Suitable for High & Low Water Pressure
- Splash Proof Protection

PWH-911EP



- With AC Pump • Mesh Filter
- Double Safety Protection
- 5 Spray Pattern Handshower
- Variable Temperature Control
- Suitable for High & Low Water Pressure
- 3-in-1 Stop Valve
- Splash Proof Protection

PWH-911E



- Mesh Filter
- Double Safety Protection
- 5 Spray Pattern Handshower
- Variable Temperature Control
- Suitable for High & Low Water Pressure
- 3-in-1 Stop Valve
- Splash Proof Protection

PWH-968SP



- With DC Silent Pump • Mesh Filter
- Double Safety Protection
- 5 Spray Pattern Handshower
- Variable Temperature Control
- Suitable for High & Low Water Pressure
- 3-in-1 Stop Valve
- Splash Proof Protection

PWH-968E



- Mesh Filter
- Double Safety Protection
- 5 Spray Pattern Handshower
- Variable Temperature Control
- Suitable for High & Low Water Pressure
- 3-in-1 Stop Valve
- Splash Proof Protection

**MULTI
SPRAY
HAND SHOWER**



AVAILABLE NOW

amberchia
mesmerized by
PENSONIC



Amber Chia
Amber·Chia
Pensonic·Friend

Durable AC Motor Cool shot function
Ionic feature protects hair from static discharges
2 speeds & 3 heat settings Low Noise
Easily cleaned, detachable end cap & hanging loop
Constant Temperature

CoreLine
1-800-881-779

www.pensonic.com

Instagram
pensonicmalaysia

Facebook



amberchia
memorized by
PENSONIC

CCoreLine
(1-800-881-1779)
www.pensonic.com

HAIR IN THE PINK
with IONIC TECHNOLOGY

The ionic function helps leave my hair silky smooth & frizz-free & it looks even healthier



2-SPEED 3 HEAT



COOL SHOT



IONIC FUNCTION



AC MOTOR



EASY CLEANING



PHD-1100

Power : 1470-1600W
Voltage : 230-240V ~ 50/60Hz

- **2 Speeds**
Optimal control for all hair types and textures
- **Cool Shot Function**
Set and style your hair with ease
- **Small & Light Weight**
Easy-carry and ideal for travelling



IONIC FUNCTION

PHD-1101

Power : 1400W
Voltage : 220-240V ~ 50/60Hz

- **2 Speeds**
Optimal control for all hair types and textures
- **Cool Shot Function**
Set and style your hair with ease and add shine
- **Ionic Function**
Protects hair from harmful static charge
- **Small & Light Weight**
Easily carried and ideal for travelling



PHD-2100

Power : 1800-2000W
Voltage : 230-240V ~ 50/60Hz

- **2 Speeds & 3 Heat Settings**
Optimal control for all hair types and textures
- **Cool Shot Function**
Set and style your hair with ease and add shine
- **Useful Hair Accessories**
Slim nozzle and diffuser for wavy hair style
- **Easy Cleaning**
Detachable end cap for cleaning convenience
- **Two Way Handling**
Adjustable angle for optimal handling comfort
- **Low Noise**
Quiet operation eliminates irksome noise



IONIC FUNCTION

PHD-2200P

Power : 2000-2200W
Voltage : 230-240V ~ 50/60Hz

- **2 Speeds & 3 Heat Settings**
Optimal control for all hair types and textures
- **Cool Shot Function**
Set and style your hair with ease and add shine
- **AC Motor**
More durable and longer life span
- **Easy Cleaning**
Detachable end cap for cleaning convenience
- **With Accessories**
Ultra slim nozzle and diffuser for wavy hair style
- **Ionic Function**
Protect hair from harmful static charge



PHS-CS300

Power : 62W
Voltage : 220-240V ~ 50/60Hz

- **PTC Heater**
Constant heat for excellent hair protection
- **Maximum Temperature 230°C**
Heats up to 230°C for salon quality performance on the go
- **Power ON Light Indicator**
Shows the status of operation
- **360° Turnable Cord**
Good handling and easy storage
- **Barrel Locking**
Switch between curler and straightener with just a single locking
- **Ceramic Coating On Barrel**
Reduce hair damage for soft and shiny hair

PHD-1001F

- 1000W • 2-speed Selection
- Quiet Design • Foldable Handle
- Overheat Auto Shut Off Device
- Constant Temperature for Healthy Hair Care
- Heat Balance Technology
- Detachable Concentrator



PHD-2001

- 2000W • 2-speed Selection
- 3 Heat Settings • Hang-up Hook
- Over-heat Auto Shut Off Device
- 'Cool Shot' to Freeze Style
- Removable Concentrator & Diffuser
- Removable Filter Cover for Easy Cleaning



PENSONIC FIGHTER



PSW/PCU-1022 / 1522 / 2022 / 2522



Self-Diagnosis



Turbo Cooling



Dehumidifies

47

FRESH COOL



PSW/PCU-1025

R410A New Series Split Air Conditioner Specification Sheet

MODEL	INDOOR UNIT		1.0HP	1.5HP	2.0HP	2.5HP	1.0HP
	OUTDOOR UNIT		PCU-1022	PCU-1522	PCU-2022	PCU-2522	PCU-1025
Cooling Capacity	Btu / h		9000	12000	17998	22000	9000
	W		2638	3517	5275	6448	2638
Power Sources	V / Hz		1 Phase 220-240 V / 50Hz				
Cooling Capacity	Rated Input Power	W	1130	1300	2100	3300	949
	Rated Input Current	A	6.85	7	11.3	15	5
Air Flow Volume	Indoor Unit	m ³ / h	580/515/450/315	735/700/600/410	900/810/700/535	1250/1100/960/820	500/400/380/330
	Outdoor Unit	m ³ / h	1600	1800	1800	2800	1200
Dehumidifying Volume		l / h	0.8	1.4	1.8	2	0.8
Energy Efficiency Ratio [EER]		Btu / h / w	10.99	10.58	9.82	10.27	10.571
Motor Output	Indoor Fan	W	20	20	35	35	20
	Outdoor Fan	W	35	35	45	68	28
Fan Type-Piece	Indoor Fan	Type	Cross-flow				
	Outdoor Fan	Type	Axial-flow				
Evaporator		Type	Aluminum Fin-copper Tube				
Sound Pressure Level	Indoor Fan	dB(A)/S/H/M/L	41 / 40 / 36 / 27	45 / 42 / 38 / 31	47 / 44 / 40 / 35	50 / 46 / 42 / 38	39 / 36 / 31 / 26
	Outdoor Fan	dB(A)	50	50	52	56	50
Unit Dimensions	Indoor Fan	W x H x D(mm)	790 x 275 x 200	845 x 289 x 209	970 x 300 x 224	1078 x 325 x 246	821 x 283 x 200
	Outdoor Fan	W x H x D(mm)	776 x 540 x 328	848 x 540 x 320	848 x 540 x 320	913 x 680 x 378	729 x 431 x 318
Dimensions of Package	Indoor Fan	W x H x D(mm)	866 x 271 x 367	921 x 281 x 379	1041 x 383 x 320	1148 x 413 x 350	898 x 353 x 291
	Outdoor Fan	W x H x D(mm)	823 x 358 x 595	881 x 595 x 363	881 x 595 x 363	997 x 431 x 740	774 x 387 x 489
Net Weight	Indoor Fan	Kg	9	10.5	13.5	17	10
	Outdoor Fan	Kg	27.5	32.5	39.5	49	26
Gross Weight	Indoor Fan	Kg	11	12.5	16.5	20.5	12.5
	Outdoor Fan	Kg	30	35	42	53	28.5
Compressor		Type	Rotary				
Climate Type			T1	T1	T1	T1	T1
Isolation			1	1	1	1	1
Refrigerant Charge		Kg	0.52	0.85	0.93	1.4	0.56
Connection Pipe	Length	M	5	5	5	5	5
	Gas Add	g / m	15	15	15	15	15
		inch	1 / 4"	1 / 4"	1 / 4"	1 / 4"	1 / 4"
		inch	3 / 8"	1 / 2"	1 / 2"	5 / 8"	3 / 8"
		M	10	11	10	10	10
		M	15	20	25	25	20
Cooling			√	√	√	√	√
Dehumidify			√	√	√	√	√
Fan			√	√	√	√	√
LED Display			√	√	√	√	√
Sleep Mode			NORMAL SLEEP	NORMAL SLEEP	NORMAL SLEEP	NORMAL SLEEP	NORMAL SLEEP
Auto-Swing (Vertical)			√	√	√	√	√
Auto Fan			√	√	√	√	√
Dry Anti-Mildew Design			√	√	√	√	√
Timer on/off			√	√	√	√	√
Auto Restart			√	√	√	√	√
Self Diagnosis			√	√	√	√	√
Turbo Cooling			√	√	√	√	√
Cold Plasma			√	√	√	√	√
I feel			√	√	√	√	√
Clock			√	√	√	√	√
Temperature			√	√	√	√	√
Child Lock			√	√	√	√	√
Energy Saving			√	√	√	√	√
Standby			√	√	√	√	√
Light			√	√	√	√	√

Timer Self-Diagnosis LED Display "Turbo" Button Dehumidifying



KEEP COOL!!!

FRESH COOL

PORTABLE AIR CONDITIONER

Pensonic's Fresh Cool Air Conditioning series gives you maximum flexibility in air cooling with its portable air conditioner. With no installation required, it is also easy to move around. Own this well-designed portable air conditioner to cater to your cooling needs anytime and anywhere!



Memory Function



Timer



Self Diagnosis



LED Display



Dehumidifying

Portable Air Conditioner Specification Sheet

MODEL		PPA-109	PPA-159
Cooling Capacity	Btu / h	9000	12000
Power Sources	V / Hz	220-240 / 50	
Cooling	Rated Input Power	1300	1550
	Rated Input Current	5.6	6.7
Air Flow Volume	m ³ / h	420 / 390 / 300	450 / 420 / 390
Dehumidifying Volume	l / h	1.2	1.5
Energy Efficiency Ratio (EER)	W / W	2.60	2.61
Motor Output	W	18	23
Fan Type	-	Centrifugal	
Evaporator	-	Aluminum Fin-Copper Tube	
Climate Type	-	T1	T1
Isolation	-	I	I
Sound Pressure Level	dB(A) / H / M / L	56 / 54 / 52	58 / 56 / 54
Unit Dimensions	W x H x D (mm)	450 x 840 x 400	500 x 840 x 460
Dimensions of Package	W x H x D (mm)	533 x 863 x 488	584 x 877 x 539
Net Weight	Kg	36.0	45.0
Gross Weight	Kg	41.0	52.5
Compressor	Type	Rotary	
Refrigerant Charge	Kg	R410A / 0.58	R410A / 0.80
Dehumidifier		√	√
Sleep Mode		√	√
Timer		√	√
Vertical Auto Swing		√	√
Air Flow		√	√
Memory Function		√	√
Dry Anti-mildew Design		√	√
Auto Fan		√	√
Self Diagnosis		√	√
LED Display		√	√

SHARPER Images

VIBRANT Colours

PLED-4311T



RICHER DETAILS & SOUNDS

Enjoy delightfully satisfying details and richer sounds with Digital Tuner DVB-T2.

DVB-T2

BRIGHTER, LIFELIKE IMAGES

Excellent contrast ratio and brightness renders stunning picture quality that are a feast to eyes.



ULTRA SHARP RESOLUTION

Details in images are enhanced, so you get breathtaking images that are closer to real life.



WIDE VIEWING ANGLE

Enjoy sharper images with a dynamic, wide viewing angle, where images look more vibrant and beautiful.



EASY SETUP

Simple setup instructions are included to make it easy for you to set up your television and start using it straight away.



LED TV



PLED-3211T

- Screen Size: 32" (16:9 format)
- Max. Resolution: 1366 x 768
- Viewing Angle: H: 178" V: 178"
- Contrast Ratio: 1000:1
- Brightness: 220cd/m2
- Input: HDTV / VGA / CVBS / RF / USB / YPBPR
- Power Supply: 100-240V~50/60Hz
- Power Consumption: 45W
- Dimensions: 800 x 147 x 506(mm)
- Gross Weight: 5.31KGS
- Net Weight: 3.9KGS
- Digital Tuner Reception: DVB-T2



PLED-4311T

- Screen Size: 43" (16:9)
- Max. Resolution: 1920 x 1080
- Viewing Angle: H: 178" V: 178"
- Contrast Ratio: 1000:1
- Brightness: 220cd/m2
- Input: HDTV / VGA / CVBS / RF / USB / YPBPR
- Power Supply: 100-240V~50/60Hz
- Power Consumption: 65W
- Dimensions: 1043 x 148 x 642(mm)
- Gross Weight: 8.6KGS
- Net Weight: 6.2KGS
- Digital Tuner Reception: DVB-T2



PLED-2410

- Screen Size: 24" (16:9 format)
- Max. Resolution: 1366 x 768
- Viewing Angle: H: 176" V: 176"
- Contrast Ratio: 1200:1
- Brightness: 180cd/m2
- Response Time: 6.5ms
- Input: HDTV / VGA / RF / UBS / YPBPR / AV
- Power Consumption: 35W
- Dimensions: 595 x 115 x 388(mm)
- Gross Weight: 2.89KGS
- Net Weight: 2.22KGS

INDOOR TV ANTENNA

PA-1011

- Receives Full HD and Digital TV Signals
- Connects Directly To Your TV, Plug and Play
- High-tech Material Construction
- 2 Sets Velcro Patches and Antenna Base Included for Easy Installation Anywhere
- 3m Coaxial Cable for Better Positioning
- Multi Positioning :
 - Stick it Above / Below Your TV
 - Hidden Behind Your TV
 - On the Window / Walls
 - On the Cabinet



DVD PLAYER



PDVD-8203

- DVD / CD / PAL-NTSC
- Full Remote Control System
- Full Karaoke Function
- Multi Zone Code & Parental Lock
- 2.0ch Analogue Audio Output
- CD-R / CD-RW / MPEG Decoder
- Support 32 Subtitles



PDVD-8204

- DVD / CD / PAL-NTSC
- Full Remote Control System
- Full Karaoke Function
- Multi Zone Code & Parental Lock
- 2.0ch Analogue Audio Output
- CD-R / CD-RW / MPEG Decoder
- Support 32 Subtitles



PDVD-9301RM

- DVCD / SVCD / VCD / CD / VD-R / CD-RW / DVD-RW / AUTO TV / PAL-NTSC / DVD+RW / KODAK Picture CD / JPEG
- Full Remote Control System
- Full Karaoke Function with Digital Echo Effect
- RM/RMVB Compatible Digital Media Player
- Multi Zone Code & Parental Lock



PDVD-9304H

- DVCD / DVD / VCD / CD / CD-R / CD-RW / DVD+R / HD Mode / DVD+RW / KODAK Picture CD / PAL-NTSC
- Full Remote Control System
- Full Karaoke Function
- Multi Zone Code & Parental Lock



PDVD-9904

- DVD / SVCD / CD / PAL / NTSC Compatibility / CD-R / CD-RW / MPEG Decoder
- Full Remote Control System
- Full Karaoke Function
- Multi Zone Code & Parental Lock
- Support 32 Subtitles



PDVD-9905

- DVD / SVCD / CD / PAL / NTSC Compatibility / CD-R / CD-RW / MPEG Decoder
- Full Remote Control System
- Full Karaoke Function
- Multi Zone Code & Parental Lock
- Support 32 Subtitles

CD PLAYER

PCD-1001BT

CD / MP3 PLAYER

- AC / DC Operation
- LED Disco Light
- Analog Tuning with Digital Readout
- LCD Negative Display
- USB Input Compatible with MP3
- Bluetooth Feature
- Aux in + Phone Jack
- Uses 8 pcs "UM1/D" Batteries
- Output Power(RMS): 12.5W x 2
- 48W



PCD-8102BT

CD / MP3 PLAYER

- AC / DC Operation
- FM PLL Tuning • LCD Display
- USB Input Compatible with MP3
- Bluetooth Feature
- Aux in + Phone Jack
- Uses 6 pcs "UM-2/C" Batteries
- Output Power (RMS): 1.2W x 2
- 14W



PCD-8103BT

CD / MP3 PLAYER

- AC / DC Operation
- Auto Stop Mechanism
- FM PLL Tuning
- LCD Display with Backlight
- USB Input Compatible with MP3
- Bluetooth Feature
- Cassette Player
- Aux in + Phone Jack
- Uses 6 pcs "UM-1/D" Batteries
- Output Power (RMS): 1.5W x 2
- 12W



PCD-8104BT

CD / MP3 PLAYER

- AC / DC Operation
- Analog Tuning with Digital Readout
- LCD Display with Backlight
- USB Input Compatible with MP3
- Bluetooth Feature
- Aux in + Phone Jack
- Uses 6 pcs "UM-1/C" Batteries
- Output Power (RMS): 1.2W x 2
- 18W



PCD-901

DVD / VCD / CD / MP3 / MP4 PLAYER

- AC / DC Operation
- LCD Display
- USB / SD / MMC Card Reader
- AM/FM Tuner
- Bass Boost System
- Built-in Microphone
- Cassette Player
- Uses 8 pcs "UM-2" Batteries



PORTABLE RADIO

PPR-01

- AC / DC 6V Operation
- Built-in Rechargeable Battery
- With Each Charge, Radio Works 10-15 Hours Continuously
- With Each Charge, USB/SD Works 2 Hours Continuously
- With Remote Control
- Auto Scan FM Tuner (FM88-108MHz)
- USB / SD Input (max 8G)
- AUX In Jack
- PC-USB Cable (Power Supply / Charging)



PENSONIC
5
YEARS
COMPRESSOR
WARRANTY

CHILL & FREEZE

PFZ-204G

**ENERGY
EFFICIENT,
SPACE SAVER
THAT HELPS YOU
CUT FOOD COSTS.**



FAST ACTION FREEZING

Concealed high efficiency compressor freezes food swiftly and evenly to preserve nutrition.



TAKE A PEEK

Glass sliding window lets you take a peek at what's inside without opening the freezer, ensuring food stays cool.



REV UP SAVINGS

Low energy consumption gives you savings, and saves earth's resources too.

REFRIGERATOR



PMF-65

- Freezer Temp: -1°C to 1°C
- Refrigerator Temp: 0°C to 10°C
- Capacity: 45L
- Gross Weight: 16.7kg
- Corrosion Resistant Cabinet
- Low Energy Consumption
- Space Saving
- Adjustable Feet
- Ext.Dim. (mm): 472W x 492Hx 450D

FREEZER



PFZ-112 / PFZ-152 / PFZ-202 / PFZ-204G / PFZ-302



PFZ-402 / PFZ-502

MODEL	PFZ-112	PFZ-152	PFZ-202	PFZ-204G	PFZ-302	PFZ-402	PFZ-502
Capacity	98L	150L	200L	200L	300L	400L	500L
Gross Weight	33kg	38kg	44kg	47kg	50kg	67kg	83kg
Max & Min Cooling Temperature	-12°C to -26°C	-12°C to -26°C	-12°C to -26°C	-12°C to -26°C	-12°C to -26°C	-12°C to -26°C	-12°C to -26°C
Corrosion Resistant Cabinet	√	√	√	√	√	√	√
Concealed High Efficiency Compressor	√	√	√	√	√	√	√
Modern & Stylish Design	√	√	√	√	√	√	√
Low Energy Consumption	√	√	√	√	√	√	√
Space Saving	√	√	√	√	√	√	√
Glass Sliding Window				√			
Ext.Dim(mm)	582W x 885H x 598D	760W x 825H x 560D	980W x 825H x 560D	980W x 825H x 560D	1059W x 835H x 735D	1369W x 835H x 730D	1650W x 835H x 730D



Adjustable Thermostat



Low Energy Consumption



Corrosion Resistant Cabinet



Modern & Stylish Design



Concealed High Efficiency Compressor

Protects
As It

Washes

PWS-1205G

12kg



EXTRA CARE, LONGER CLOTHES LIFE

Embossed diamond drum reduces harmful effects of washing and lengthens the life span of clothes.



RUST FREE, ANTI-PET DESIGN

Plastic, metal free body and anti-pet design helps to maintain body of washing machine in excellent condition, thus ensuring longer life.



BETTER LOAD CONTROL

Add clothes at any time during the wash cycle. If you want to, you can use the wash and spin cycle at the same time.



THE GREENER CHOICE

Continuous water supply is not required in a semi-automatic machine, making this product a greener choice as less water is used.

WASHING MACHINE

PWA-6552

• 300W • 6.5kg

PWA-7517

• 330W • 7.5kg

PWA-8517

• 400W • 8.5kg

- Full Steel Body Free From Rust
- Stainless Steel Inner Tub
- LED Display
- Error Code Alarm
- 8 Water Level Control
- 4 Wash Program Selector
- 0 to 24 hours Delay Start



PWS-1005G • 10.0kg

PWS-1205G • 12.0kg

- Semi-auto
- Plastic Body Free From Rust
- Anti-pet Design (Rat)
- Spin Dryer Safety Function: Spinning Stops Automatically when Lid is Inadvertently Opened
- Water Inlet Selection



PWS-6002

- 6.0kg
- Semi-auto
- Anti-pest Design (Rat)
- Plastic Body Free From Rust
- Elegant Glass Top
- Spin Dryer Safety Functions: Spinning Stops Automatically when Lid is Inadvertently Opened
- Water Inlet Selection



PWS-6003 • 6.0kg

PWS-9003 • 9.0kg

- Semi-auto
- Anti-pest Design (Rat)
- Plastic Body Free From Rust
- Spin Dryer Safety Functions: Spinning Stops Automatically when Lid is Inadvertently Opened
- Water Inlet Selection



PWS-6004

- 6.0kg
- Semi-auto
- Anti-pet Design (Rat)
- Plastic Body Free From Rust
- Spin Dryer Safety Functions: Spinning Stops Automatically when Lid is Inadvertently Opened
- Water Inlet Selection



PWS-9004 • 9.0kg

PWS-1104 • 11.0kg

PWS-1404 • 14.0kg

- Semi-auto
- Plastic Body Free From Rust
- Anti-pet Design (Rat)
- Spin Dryer Safety Functions: Spinning Stops Automatically when Lid is Inadvertently Opened
- Water Inlet Selection

STEAM / SPRAY IRON

PSI-1005

- 1890W-2250W
- Variable Steam Control
- Self-Clean Function
- Adjustable Temperature Control Knob for All Kinds of Textiles
- 3-in-1 Function: Steam, Spray & Dry
- Non-stick Teflon Coating Soleplate
- Translucent Water Level Indicator
- Indicator Light



PSI-890

- 1000W-1200W
- Spray Function
- Indicator Light
- Adjustable Temperature Control Knob for All Kinds of Textiles
- Non-stick Coating Soleplate



PSI-1006

- 1800W-2200W
- Variable Steam Control
- Self-Clean Function
- Adjustable Temperature Control Knob for All Kinds of Textiles
- 3-in-1 Function: Steam, Spray & Dry
- Non-stick Teflon Coating Soleplate
- Translucent Water Level Indicator
- Indicator Light
- Variable Steam Control



PSI-8902

- Spray Function
- Indicator Light
- Adjustable Temperature Control Knob
- Non-stick Coating Soleplate
- Variable Temperature Control



DRY IRON



PI-500

- 1200W
- 1.8 kg
- Adjustable Temperature Control Knob for All Kinds of Textiles
- Indicator Light



PI-600

- 1200W
- 1.8 kg
- Adjustable Temperature Control Knob for All Kinds of Textiles
- Non-stick Teflon Coating
- Indicator Light



PI-8502

- 1200-1430W
- Adjustable Temperature Control Knob
- Non-stick Coating Soleplate
- Variable Temperature Control
- Indicator Light

WATER FILTER CARTRIDGE



PP-123R1 CARBON BLOCK

- 5.0 Micron Filtration for Reduction of Cryptosporidium & Giardia (VOCS)
- Polishing Filter for Excellent Drinking Water
- Class 1 Chlorine, Taste & Odour Reduction

For Model: PP-123



PP-123R2 SEDIMENT FILTER

- Polypropylene Replacement Cartridge
- For Removal of Sand, Silt, Dirt & Rust
- Maximum Housing Temperature: 125°F (52°C)
- Water Flow : 20 Litre per Minute

For Model: PP-123



PMP-15R3 4-STEP FILTRATION SYSTEM

- Step 1 : Activated Carbons Remove Chlorine, THMs Organic Chemicals & Unpleasant Odours & Colours
- Step 2 : Silica Sand Removes Acidic Components from the Water
- Step 3 : Zeolite Removes Heavy Metals
- Step 4 : Mineral Sand Release Minerals & Adjust pH of Water to Mild Alkaline

For Model: PMP-15



PMP-15R1 MINERAL STONES

- Enriches Essential Mineral Contents, Oxygen in the Water
- Controls Water pH to Mild Alkaline
- Keeps Water Fresh & Active

For Model: PMP-15



PMP-15R2 CERAMIC DOME

- Micron Size: 0.9-0.5 Micron
- Filtration that Blocks Sediment Particles such as Dirt, Rust & also Bacteria

For Model: PMP-15

VACUUM CLEANER BAG



PVB-03PM

- 1 pack consists of 4 pcs

For Model: PVC-22B,31A,25A

PORTABLE GAS CARTRIDGE



PCG-1

- Capacity: 230g
- Cylinder Gas for Portable Gas Cooker
- Lasts Up to 3 Hours

For Model: PPG-2002N

GAS REGULATOR



PLPG-1000

- Zinc Base & Aluminium Cover with POM Control Lever
- Max Inlet Pressure 6 Bar
- Outlet Pressure of 28 mbar for LPG Use
- Flow Rate of 1.5kgs/h
- 20mm Inlet Size, 10mm Outlet Nozzle

For LPG Use Only



PLPG-1001H

- Zinc Base & Aluminium Cover with POM Control Lever
- Max Inlet Pressure 6 Bar
- Outlet Pressure 28 mbar for LPG Use
- Flow Rate of 1.5kgs/h
- With Hose
- 20mm Inlet Size, 10mm Outlet Nozzle

For LPG Use Only

BLENDER ACCESSORIES



JC-4003

- 600ml • BPA Free Tritan Sports Bottle
- Leak-proof Travel Lid And Snap Hook

For Model: PB-4003B, PB-4004V, PB-4005P



JC-3203

- 1L • Stainless Steel Blade

For Model: PB-3203, PB-3203L, PB-3205,

PB-3205DJ, PB-3205L, PB-3206, PB-3301



MS-3310

- Stainless Steel Blade Cutter
- Small Capacity Grinding

For Model: PB-3203, PB-3203L, PB-3205,

PB-3205DJ, PB-3205L, PB-3206, PB-3301



WATER HEATER SHOWER HEAD

SH-01

- Rain Shower Head
- 5 Spray Pattern Handshower

For Model: PWH-911SP, PWH-911EP,

PWH-968E, PWH-968EP, PWH-1001SPR

FAN BLADE

FB-12N

- 12"

FB-16N

- 16"

• Fan Blade



DUCTING CAP

CHT-6001

- SUS 304 Diameter 160mm Stainless Steel Wall Cap
- 3 Meter Aluminium Flexible Duct
- 1 Roll of Aluminium Foil Tap
- Easy to Install

For Model: PCH-801S, PCH-803G,

PCH-804G, PCH-806G, PCH-807S



PENSONIC SALES & SERVICE CENTRES (MALAYSIA)

PENANG HEAD OFFICE & SHOWROOM

1165, Lorong Perindustrian Bukit Minyak 16,
Taman Perindustrian Bukit Minyak,
14100 Simpang Ampat, Penang, Malaysia

PENANG

143-145, Perak Rd. , 10150 Penang
Tel: (04) 226 9923 / 050

JOHOR BAHRU

31, Jln Ros Merah Satu / 1,
Tmn Johor Jaya, 81100 J. Bahru, Johor

KOTA BHARU

PT-621, Ground Floor, Batu 2 Jln Pengkalan
Chepa, 15400 Kota Bharu, Kelantan

KUANTAN

No. A143, Ground Floor, Jln Wong Ah Jang,
25100 Kuantan, Pahang

KUALA LUMPUR SHOWROOM & CUSTOMER CARE CENTRE

Lot 11A, Jln 223 Sec 51A,
46100 Petaling Jaya,
Selangor Darul Ehsan
Showroom
Tel.Fax: (603) 7954 5200 / 7954 5705
Customer Care Centre
Tel.Fax: (603) 7954 5221 / 7954 5706

IPOH

29, Jalan Medan Ipoh 1A,
Medan Ipoh Bistari, 31400 Ipoh, Perak

MALACCA

385-C, Jalan Melor Utama,
Taman Peringggit Jaya,
75400 Malacca

SABAH

Lot 4, Ground Floor & 1st Floor
Towering Industrial Centre,
88300 Penampang, K. Kinabalu, Sabah

SARAWAK

Grd & 1st Floor, 253,
Jalan Datuk Wee Kheng Chiang,
93450 Kuching, Sarawak

LABUAN

Lot 5, Kian Yap Shoplot, Taman Kian Yap,
Jalan Ranche Ranche, 87000 Labuan F.T

U0037, PN 7884, Jalan OKK, Awang Besar,
W.P Labuan, 87000 Labuan



Core Line
Please Call **1-800-881-770**
call this number for any enquiries

For Prompt After-Sales Service (For Malaysia Only)

*** Operation Hours: Mon - Fri 8:30am - 5:45pm / Sat, Sun & Public Holiday Closed**

PENSONIC SALES & SERVICE SDN. BHD. (162419-M)

PENSONIC SALES & SERVICE CENTRES (WORLD WIDE)

CHINA

5F, Block 10,
XiangZhou Technology Industrial District
Meihua Xi Road, No.2372 XiangZhou
Zhuhai City, 519000, Guangdong, China
Tel: (0756) 8525 933

INDONESIA

JL.Jembatan III Barat, Blok E Kav. No. 8
Kelurahan Penjaringan, Kecamatan Penjaringan
Jakarta Utara 14440 Indonesia
Tel: (621) 2267 4720

VIETNAM

No 59-61 Nguyen Thi Thap Street,
Him Lam Area, Tan Phong Ward, District 7
Ho Chi Minh City, Vietnam
Tel.Fax: (848) 3945 3483 / 3945 3482

EQUATORIALE GUINEA

Calle Ebebeyin
B.P. 177 Malabo, Equatorial Guinea
Tel.Fax: (204) 096 444

BAHRAIN

P.O.Box 10887
Manama, Bahrain
Tel.Fax: (973) 1722 4220 / 1770 0043

TIMOR LESTE

Rua Bidau Lecidere
P.O.Box 039
Dili, Timor Leste.
Tel: (670) 3311278

MYANMAR

No.15, (6) Ward,
Walzayandar Road
South Okkalapa Township
Yangon, Myanmar
Tel: (95) 9750114898

HONG KONG

Suite 1404, Tung Wai Commercial Building
109-111 Gloucester Road,
Wan Chai, Hong Kong
Tel.Fax: (852) 2727 0997 / 2758 5088

BRUNEI

No. D1, Spg 396, Jln Jerudong,
Bangunan Perkasa 1, Kampung Sengkurong B,
Bg 1321, Brunei Darussalam
Tel.Fax: (673) 2611 918 / 2610 801

CAMBODIA

LOT# 1529, National Road 2,
Sangkat Chak Angre Krom,
Khan Meanchey, Phnom Penh, Cambodia.
HP: (855) 89 308474

LEBANON

Verdun-Bekaa Str-Zahraa, Bldg-3 Flr,
P.O.Box 155150 Beirut-Lebanon
Tel.Fax: (961) 1817 681 / 1318 152

SRI LANKA

No. 68, Keyzer Street
Colombo 11, Sri Lanka
Tel: (94 11) 2343586 Fax: (94 11) 2326699

SEYCHELLES

P.O.Box 1371, Victoria, Mahe,
Seychelles
Tel.Fax: (248) 323 680 / 324 724

PAKISTAN

Shop # 40 & 45, Gemini Shopping Plaza,
Opp BVS School, Abdullah Haroon Road Saddar,
Karachi-74400
Tel.Fax: (9221) 3271 1377

IRAQ

Masbah Street, AL Karrada
Baghdad, Iraq
Tel: (964) 770 533 1123

SINGAPORE

2 Leng Kee Road, #06-03 Thye Hong Centre,
Singapore 159086
Tel.Fax: (65) 6472 6504 / 6475 9534

THAILAND

83/ 161-162 Moo 6, Soi Chinaket 2,
Ngamwongwan Rd, Thungsonghong,
Laksi Bangkok 10210 Thailand
Tel.Fax: (622) 9545 281-3 / 5807 443

PHILIPPINES

165 Quirino Avenue Baesa, Quezon City
Manila Philippines 1115
#606 Evangelista St G Puyat St Quiapo Manila
Tel: 733-28-51 / (02) 7357691 / (02) 7332840

EGYPT

Usama Shahin St of Saad Zaglol St. , El Bar
Elsharkey Shbin El Kom Menofia
POB 32514 Egypt
Tel.Fax: (201) 0009 3033

FIJI

Centerpoint 1, Ratu Dovi Road
GPO Box 14416 Suva Fiji
Tel.Fax: (679) 339 3111 / 334 0255

MALDIVES

M.Faaroshige, 3rd Floor,
Orchid Magu, Male 20189, Maldives
Tel: (960) 3009907

MAURITIUS

12, Corderie Street
Port Louis, Mauritius
Tel: (230) 2121563

SOUTH KOREA

6F, Jung Am Building, Eun-cheon-ro 25,
Kwan-Ak-gu, Seoul, Korea
Tel: (070) 4185 3645 Fax: (0507) 0326 7040

