

PENSONIC
Your Enjoyment



2012
www.pensonic.com

• home appliances

• audio

• visual

• air conditioner

The story of **Pensonic**

The Pensonic Group has a legacy of 47 years since it was first founded in 1965 as Keat Radio and Electrical Co. in Balik Pulau, Penang. From this humble origin as a small retailer cum workshop for electrical home appliances, Keat Radio and Electrical Co. grew under the leadership of its founder, Dato' Seri Chew Weng Khak into the present day conglomerate.

In 1974, the first branch was established and two years later, it ventured into the import, export and distribution of electrical home appliances. The sole-proprietorship was incorporated into a private limited company in 1977 under Keat Radio Co. Sdn. Bhd. Finally in 1982, Pensonic Sales and Service Sdn. Bhd. came into existence with several branches throughout Malaysia to house the fast expanding business under one umbrella group.

The unusual and easily remembered name 'Pensonic' was the brainchild of its founder Dato' Seri Chew Weng Khak who coined the word based on special sentiment and personal meaning. 'Pensonic' has always been a topic of conjecture as it is an amalgam of two words, 'Penang' and 'Sonic', hence resulting in 'Pensonic'!

The name 'Pensonic' is a tribute to the founder Dato' Seri Chew's beloved homestate Penang while 'sonic' is an audible reminder of the company's roots in selling radios! 'Pensonic' is also synonymous with the phrase 'Sound of Penang'. Not only is Pensonic the pride of Penang, its headquarters has also remained in the Pearl of the Orient.

In 1982, the Pensonic Group begun importing and assembling the first batch of audio and visual products under the Pensonic brand. Pensonic was registered as a trademark in Malaysia in 1984 and is now registered in more than 20 countries, thus laying the foundation for global expansion. In 1988, the Pensonic Group commenced manufacturing and marketing of electrical home appliances under the Pensonic brand. Henceforth, this Malaysian owned-and-grown and operated brand entered history as the nation's first "Made in Malaysia" electrical home appliances!

For the first time, a locally conceived and produced range of electrical products could take its place among the established brands from Japan, Europe and United States!

GROWING FROM STRENGTH TO STRENGTH

The Pensonic Group has grown from strength to strength. In 1994, Pensonic Holdings Berhad was incorporated as an investment holding company to consolidate the various companies under the Pensonic Group and as the vehicle for its public listing. On 18 December 1995, Pensonic Holdings Berhad was listed on the Second Board of Bursa Malaysia Securities Berhad (formerly Kuala Lumpur Stock Exchange). On the first day of its listing, it was valued at RM14,096,900 Million and total equity as at financial year ended 2010 is RM95,409,321

The core businesses of the Pensonic Group are manufacturing, importing, exporting, distribution and marketing electrical home appliances for the domestic and international markets. Such is the company's renown and reputation that apart from its Own Brand Manufacturing (OBM), the Pensonic Group is engaged in Own Design Manufacturing (ODM) for several international brands in the electrical home appliances industry.

Today, Pensonic's domestic distribution consists of 10 branches and more than 900 dealers countrywide. Pensonic products are exported to 30 countries in ASEAN, East Asia, West Asia and Middle-East, supported by a complete host of manufacturing facilities, warehouses, show-rooms and customer-care centres.

Through its strong distribution network, the Pensonic Group has adopted a multi-brand platform to cater to different product categories and market segments. With Pensonic as its core brand, the Pensonic Group also owns the Lebensstil Kollektion from Germany and has recently acquired Cornell from USA. The Pensonic Group holds the sole distributorship rights in Malaysia for internationally renowned home appliances brands like Princess of Holland, GE Appliances of USA and Morphy Richards of United Kingdom.

AWARDS AND RECOGNITION

Through decades of brand-building, competitive pricing, high quality and wide-ranging products, Pensonic is recognized as the premier Malaysian brand for electrical home appliances. Pensonic is the only electrical home appliances brand selected by the Malaysia External Trade Development Corporation (MATRADE) as one of the 20 leading and most prominent brands in Malaysia for the SHOWCASE MALAYSIA 2003 trade exhibition held in conjunction with the 13th Non-Aligned Movement (NAM) Summit.

Pensonic is honoured to be the first brand in Malaysia to be accorded the Brand Promotion Grant for the export market and permitted to use the logo "MADE IN MALAYSIA FOR THE WORLD" by MATRADE. Another feather in the cap is being awarded the Brand Excellence Award for 2007 by the Ministry of International Trade and Industry.

As the Pensonic Group enters the globalization era, it has formulated a multi-pronged, master plan for the Pensonic label with clearly defined visions and values to drive it to greater heights. Aggressive brand building activities are planned and executed to transform the Pensonic name into an Asian powerhouse at the first stage and a global brand in the near future. It is continuously developing and strengthening its capability in product innovation, design and development to support its next wave of growth.

The Pensonic Group is totally committed to deliver quality products and services, not just to meet but exceed the consumer's expectations. Through unabated improvement in its quality management system, it has consolidated its position as a leader for quality and reliability. In 1999, it was accorded the ISO 9002 accreditation which was upgraded to ISO 9001-2000 in 2002.

Pensonic was awarded the National Creativity & Innovation Award 2004 by the Malaysia Design Technology Centre for outstanding brand building that has helped build Malaysia's international image and reputation for quality. Its strength in product design and development has also earned it the Malaysia Good Design Mark for its Pensonic Blender PB - 501 awarded by the Malaysia Design Council while its Pensonic Table Fan PF - 42 won the 2002 Energy Efficiency & Best Price Fan jointly awarded by Tenaga Nasional Berhad and Ministry of Energy, Communications and Multimedia.

CELEBRATING A QUARTER CENTURY OF EXCELLENCE

The year 2007 marked a major milestone as Pensonic celebrated 25 years as the first Malaysian brand for electrical home appliances. The Pensonic 25th Anniversary Celebration was extra auspicious and indeed very meaningful as it coincided with Malaysia's 50th year of Independence (Merdeka) from Great Britain and the Visit Malaysia 2007 campaign, thus resulting in a triple whammy!

A grand celebration lasting 25 weeks turned Pensonic's 25th birthday into the biggest event in its history. In addition to the existing '12 Pensonic Friends' who had been featured in Pensonic's advertising campaigns since 2005, another 13 prominent and successful Malaysians joined the roll call of honour to make a total of '25 Pensonic Friends' for its 25th Anniversary Celebration.

The '25 Pensonic Friends' were featured in local and regional newspapers, magazines advertisements and Pensonic's billboards spread over the whole of Malaysia. The additional new 13 Pensonic Friends were individually featured in talk-shows on NTV7 to share their respective success stories.

The finale was the Pensonic Awards to recognize these 13 successful Malaysian personalities and award them for etching their names in their chosen fields and for their contributions to the country. To commemorate the anniversary, Pensonic launched a Limited Edition Pensonic Maroon Series featuring a special collection of 25 great products for everyone to enjoy in their homes.

Adding to the excitement of the anniversary celebrations were Treasure Hunts and Scratch-And-Win Contests while nationwide roadshows toasted 25 successful, glorious years.

AWARDS AND RECOGNITION

Through decades of brand building and continual delivery of high quality products, Pensonic has been awarded four times running for the Brand Excellence Award in 2007, 2008, 2009 and 2010 by the Ministry of Internal Trade and Industry. Continuing with the Company's time honoured brand journey towards excellence, Pensonic was also awarded with the title 'Best Electronic Goods TV Commercial' in 2008 by a leading international Marketing magazine. The cream of all brand awards came in 2010 with Pensonic gaining recognition for the Putra Brand Award for Household and Outdoor Appliances taking its place at the top of the pedestal of electrical household brand names.

Dato' Seri Chew Weng Khak



3 Prestigious Awards in the first quarter of 2011

- Brand Excellence Award (Merchandise) Industry Excellence Awards
- The Putra Brand Awards 2011 Special Mention Award in Personal Household & Outdoor Appliances by Matrade
- The Best Brands in Consumer in Electrical Home Appliances by The Brand Laureate Awards



ECONOMIC TRANSFORMATION PROGRAMME



ETP (Economic Transformation Program)

Pensonic Holdings Bhd. will invest RM250 million to set up a home appliance manufacturing hub and international distribution network!
• Putrajaya International Convention Center

"Pensonic Holdings Bhd will spearhead an initiative to establish a manufacturing hub and international distribution network of Electrical Home Appliances [EHA] and an international distribution network. This initiative aims to capture the rising market opportunities in the Southeast Asian region and the Middle East. It emphasises strong product branding and product R & D, and will enhance the position of Malaysia in the regional EHA sector, particularly in own branding manufacturing [OBM] and the original design manufacturing [ODM] regimes. With a strong human resources development program to be put in place and a commitment to local sourcing, the project is expected to play role in developing more SMI suppliers and providing quality jobs to people at large," announced by the Prime Minister Dato' Sri Najib Tun Razak today at the PICC for ETP Progress update #5!

"Pensonic Holdings Bhd has always been an active participant with the Government in promoting Industrial Development in Malaysia, especially in offering opinion and suggestions on the support of the SMI/SME and also assist the Government in formulating strategies in brand building", said Dixon Chew, the Group Managing Director. To eventually involved in the ETP [Economic Transformation Program] Pensonic started with the invitation to be a member for E & E lab in the NKEA workshops back in May 2010. Then Pensonic has shared its experiences in brand management, supply chain management, and international marketing and also revealed to the labs on the 5- year corporate expansion plan that aims to increase the sale to 3 folds in 5 years' time. This project with an investment of RM250mil over the next 10 years is expected to grow more SMI/SME suppliers and have a GNI contribution of about RM500 million and create 850 incremental employment opportunities by 2020. For Pensonic, the vision of this project is also to create a Major Malaysian Player in EHA, which will compete at PAR with other regional and global players in the targeted markets and through this business endeavor, contribute significantly to Malaysia's ETP that aims to bring Malaysia to become a high in come nation by the year 2020!



PROFILE *of* EXCELLENCE

1965 :

Establishment of Keat Radio & Electrical Co. in Balik Pulau, Penang by founder **Dato' Sri Chew Weng Khak**.



1974 :

1st branch was set up in line with its business expansion.

1976 :

Ventured into import, export and distribution of electrical home appliances.

1977 :

Incorporation into a private limited company, Keat Radio Sdn Bhd.

1982 :

Pensonic Sales & Service Sdn Bhd was established as it imported audio and visual products under the brand 'Pensonic', symbolizing the 'Sound of Penang'.



1984 :

Registration of Pensonic trademark in Malaysia and eventual registration in over 20 countries.

1994 :

Incorporation of **Pensonic Holdings Berhad**.



1995 :

Successful listing on the Second Board of Bursa Malaysia.

1999 :

Accorded the **ISO 9002** accreditation.



2002 :

- Upgraded to **ISO 9001-2000** accreditation.
- Pensonic Table Fan PF-42 won the **2002 Energy Efficiency & Best Price Fan 2002** from Tenaga Nasional Berhad and Ministry of Energy, Communications and Multimedia.



- Involvement in Own Brand Manufacturing (OBM) and Own Design Manufacturing (ODM). Under its multi-brand business model, it owns **LEBENSSTIL KOLLEKTION** of Germany and holds the sole-distributorship in Malaysia for **PRINCESS** of Holland.

LEBENSSTIL
KOLLEKTION

PRINCESS

- The first Malaysian brand to be awarded the Brand Promotion Grant (for export market) and logo "**MADE IN MALAYSIA FOR THE WORLD**".



2004 :

- Awarded the **NATIONAL CREATIVITY & INNOVATION AWARD** by the Malaysia Design Technology Centre for outstanding brand building.

- Pensonic Blender PB-501 was recognised as the **Malaysia Good Design Mark** by the Malaysia Design Council.



2005 :

Launch of Pensonic's new logo and '**12 Pensonic Friends**' campaign.



2006 :

- Launch of 'Pensonic Friends Season 2' campaign.



2006 Pensonic Friends

- Acquisition of Amtek Marketing Services Sdn Bhd and Amtek Marketing Services Pte Ltd which owns **CORNELL** of USA and obtained the sole-distributorship in Malaysia for internationally-acclaimed brands like **GE APPLIANCES** of USA and **MORPHY RICHARDS** of the UK.

CORNELL[®]



morphy richards

2007 :

- Awarded the **Brand Excellence Award 2007** by Ministry of International Trade and Industry.



- Launch of 'Pensonic Friends Season 3' Campaign.



2007 Pensonic Friends

- Pensonic launched the new '25 Friends of Pensonic' campaign featuring 25 successful Malaysian icons to celebrate Pensonic's 25th anniversary.



2008 :

- Pensonic established its business presence in 27 countries worldwide.
- Recipient of **Brand Excellence Award** by The Ministry of International Trade & Industry.
- Launch of "Pensonic, Your Friend, Your Enjoyment" campaign.



2009 :

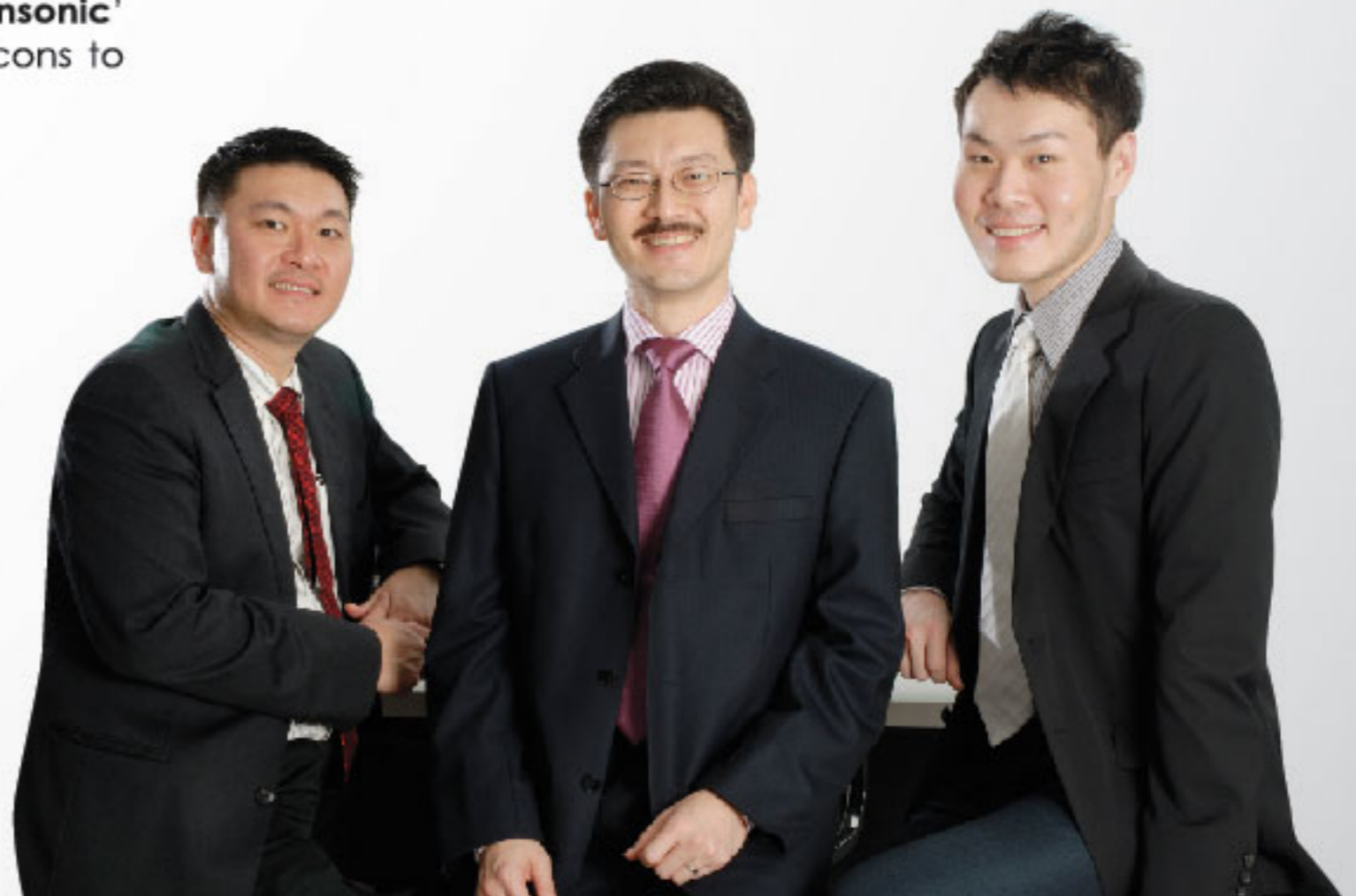
- The **Best Electronic Goods TVCS 2008** by Marketing Magazine.
- Recipient of **Brand Excellence Award** by The Ministry of International Trade & Industry 2008.

2010 :

- The **Putra Brand Awards 2010**
- Recipient of Brand Excellence Award by The Ministry of International Trade & Industry 2010.
- Participate in the NKEA labs organized by PEMANDU to plan out the National Economic Transformation Program.



2010 Pensonic Friends





BLENDER



PB-323GL

with Glass Jug

PB 323GL / 323L

- 250W • Jug 1L (with Stirrer)
- 1-Speed • Stainless Steel Blade



PB-323L



PB-330G

with Glass Jug

PB 330G / 330

- 250W • Jug 1L (with Stirrer) • 2-Speed with Pulse
- Stainless Steel Blade • Mill Attachment



PB-330



PB-323



- 250W • Jug 1L
- 1-Speed
- Stainless Steel Blade
- Mill Attachment



PB-325DJ

with Extra Jug 1L

PB 325DJ / 325 / 326

- 250W • Jug 1L (with Stirrer) • 1-Speed • Stainless Steel Blade • Mill Attachment



PB-325



PB-326



PB-328

- 250W • Jug 1L (with Stirrer)
- 1-Speed
- Powerful Motor
- Stainless Steel Blade
- Safety Switch
- Mill Attachment

Smart
ONE TOUCH
38,000RPM

Nutri de Blender



PNB-1

- Jug 2.0L • 38,000 rpm • 3 hp
- Japanese Stainless Steel Blade
- Powerful Motor
- LED Display
- PCB Functional Control with 6 Functions and 8 Modes
- Suitable For :
Vegetable, Soy Milk, Sauce, Smoothie, Cream Soup, Nuts



Vegetable



Soy Milk



Sauce



Smoothie



Soup



Nuts



PB-313

- 250W
- Jug 1L (with Stirrer)
- 1-Speed
- Stainless Steel Blade
- Mill Attachment



PB-501

Award Winning Blender

- 250W • Jug 1.5L
- 2-Speed with Pulse
- Stainless Steel Blade
- Rotary Switch
- Safety Switch
- Mill Attachment



PB-503

- 250W • Jug 1.25L
- 2-Speed with Pulse
- Stainless Steel Blade
- Safety Lock
- Safety Switch
- Mill Attachment



PB-801

- 250W
- Jug 1L (with Stirrer)
- 2-Speed
- Powerful Motor
- Stainless Steel Blade
- Dual Safety Function
- Mill Attachment



PB-4000

- 350W • Jug 800ml
- 1-Speed
- Stainless Steel Blade
- Multi-function:
Blender / Grinder / Chopper / Juice Extractor



PB-5000

- 800W • Jug 1.8L
- Food Processor Jar 1.5L (with measuring cup)
- 6-Speed with Pulse
- Multi-function: Blender / Chopper / Slicer / Shredder / Grater



PB-2001

- 250W
- Jug 1.5L (with measuring cup)
- 2-Speed with Pulse
- Stainless Steel Blade • With Filter
- Multi-function : Blender / Grinder
- Chopper / Slicer / Juice Extractor
- Mill Attachment

JUG KETTLE



PAB-171C

PAB 171C / 176C

- 1850-2200W • 1.7L • Built-In Thermal Fuse • Extra Filter
- Original UK Strix Control • Cordless • Auto Switch Off
- Illuminated On / Off Switch • Dual Water Level Indicator



PAB-176C

with Water Level Indicator



PAB-19

PAB 19 / 19C

- 1850-2200W • 1.8L • Illuminated On / Off Switch • Auto Switch Off
- Original UK Strix Control • Built-In Thermal Fuse • Water Level Indicator
- Cordless (PAB-19C)



PAB-19C

with Spout Lid for Better Hygiene



PAB-170N

- 1.7L



PAB-110C

- 1.0L • Extra Filter
- Illuminated On / Off Switch



PAB-180C

- 1.8L
- Illuminated On / Off Switch

- Transformable Jug Colour During Boiling
- Concealed Heating Element
- With 360° Degree Rotary Base

PAB 170N / 110C / 180C

- 1850-2200W • Cordless • Dual Water Level Indicator • Original UK Strix Control • Auto Switch Off

JUICE EXTRACTOR



PJ-37

- 400W • 650ml
- Safety Switch
- With Fruit Tray

PJ 37 / 38

- 2-Speed • With Juice & Pulp Container • Double Safety Lock



PJ-38

- 500W
- Juice Container 450ml
- Pulp Container 950ml
- Stainless Steel Filter



PJ-57

- 350W • 1-Speed
- Stainless Steel Filter
- Safety Switch

KETTLE



PAK-24N

- 2400W • 4.8L
- High Grade Polished Stainless Steel Body
- Cool-Touch Base • Built-In Thermal Fuse
- Original UK Strix Control • Auto Switch Off

TOASTER

SANDWICH TOASTER



PT-924

- 900W • 2 Slices
- Cool-Touch Housing
- Auto Pop-Up • Cancel Button
- Browning Control Knob
- Auto Centering Tray
- Cord Storage Compartment
- Removable Crumb Tray for Easy Cleansing



AK-3N

- 750W • 2 Slices

AK 3N / 4

- Auto Pop-Up • Browning Control Knob • Crumb Tray



AK-4

- 1300W • 4 Slices
- White / Orange



PST-930

- 700W • Non-Stick Coating
- Durable Casing
- Cool-Touch Housing
- With Indicator Light
- Stand Upright for Easy Storage
- Cord Storage Compartment

THERMOFLASK



PTF-44TA

- 700W • 4.4L

PTF 44TA / 53A / 54A / 450T

- Auto Reboil • Keep Warm • 360° Swivel Base • 3 Ways Dispenser (Manual / Auto / Cup) • Stainless Steel Inner Pot



PTF-53A

- 730W • 5.0L

- Manual Dispenser Lock



PTF-54A

- 730W • 5.0L

- Manual Dispenser Lock



PTF-450T

- 750W • 4.5L

- Manual Dispenser Lock
- Plastic Housing
- Bottom Heating Element

THERMO POT

COFFEE MAKER



New

PMK-1400

- 1.4L
- Cordless with 360° Swivel Base
- Concealed Stainless Steel
- Heating Element
- Optional Keep Warm Function
- Water Level Gauge with Night Light
- Detachable Lid for Easy Cleaning
- Cool-Touch Body
- Boil-Dry Protection



New

PET-4000L

- 3000W • 4.0L
- One Cup Auto-Dispense
- Full Cup within 45secs. (3kw)
- With Stop Button
- Variable Volume
- Water Boils – Suitable for Tea-Making
- Consistent, Smooth Water Delivery
- Based On Tried and Tested Technology
- Integrated Drip Tray



PCM-192

- 800W
- Transparent Water Tank with Water Level Indicator

PCM 192 / 193

- 1.5L (10 cups) • Removable Filter Basket • Anti-Drip Device
- Warming Plate • On / Off Switch with Light • With Measuring Spoon



PCM-193

- 730-870W
- Visible Water Level Indicator



Amber Chia

Amber Chia
Pensonic Friend

RICE COOKER



PRC 6E / 11E / 15E / 18E / 28E

- Keep Warm Function
- Build-In Thermal Fuse
- See-Through Glass Lid
- Non-Stick Inner Pot Except PRC-28E (Aluminium Inner Pot)

Model	PRC-6E	PRC-11E	PRC-15E	PRC-18E	PRC-28E
Wattage	300W	400W	500W	700W	1000W
Capacity	0.6L	1.0L	1.5L	1.8L	2.8L
Persons	1 - 2	3 - 4	5 - 6	7 - 8	9 - 12



New

PRC 6G / 10G / 12G / 18G / 25G / 36G

- Keep Warm Function
- Build-In Thermal Fuse
- See-Through Glass Lid
- Non-Stick Teflon Inner Pot

Model	PRC-6G	PRC-10G	PRC-12G	PRC-18G	PRC-25G	PRC-36G
Wattage	300W	400W	500W	700W	900W	1350W
Capacity	0.6L	1.0L	1.2L	1.8L	2.5L	3.6L
Persons	1 - 2	3 - 4	5 - 6	7 - 8	9 - 12	13-15



New

PSR-12B

- 500W • 1.2L
- 3 - 4 Persons

New

PSR-18B

- 700W • 1.8L
- 5 - 8 Persons

PSR-17N

- 700W • 1.8L
- 5 - 8 Persons

PSR-17L

- 700 - 832W • 1.8L
- 5 - 8 Persons

PSR-22C

- 700W • 2.2L
- 9 - 12 Persons

PSR 12B / 18B / 17N / 17L / 22C

- Keep Warm Function
- Non-Stick Inner Pot
- Cool-Touch Housing
- Detachable Power Cord
- Accessories : Steaming Tray, Rice Scoop, Measuring Cup
- With Dew Collector

SLOW COOKER



PSC-82

- 75W • 0.6L

PSC-182

- L-60W • H-120W
- 1.1L

PSC-382

- L-110W • H-220W
- 3.3L

PSC-582

- L-130W • H-260W
- 4.5L

PSC-682

- L-160W • H-320W
- 5.5L

PSC 82 / 182 / 382 / 582 / 682

- Flowery Casing
- With Indicator Light
- 3 Temperature Setting: Low / High / Auto (except PSC-82)
- Durable Glass Lid (PSC-82 Clay Lid)



Chef Ismail
—
Chef Ismail
Pensonic Friend

GAS RICE COOKER



PGR-888N

• 11L • 60 Persons

PGR-899N

• 14L • 80 Persons

PGR 888N / 899N

- Automatic Ignition
- Fully Automatic
- LPG Use
- See-Through Glass & Stainless Steel Lid

MULTI COOKER



PMC-138

• 1500-1780W • 3.8L

PMC-150

• 1650-1960W • 5.0L

PMC 138 / 150

- Removable Non-Stick Inner Pot
- With Tempered Glass Lid
- Adjustable Temperature Control
- Stewing, Steaming, Deep Frying



New With Stream Tray

PMC-138S

- 3.8L
- Removable Non-Stick Inner Pot
- Adjustable Temperature Control
- Stewing, Steaming, Stir Frying, Deep Frying

INDUCTION COOKER



PIC-16

- 2000W • With Timer
- Adjustable Power & Temperature
- Micro Computer Control with LED Display
- Crystallite Glass Cooktop With 7 Easy Cooking Functions:
- Stewing / Steamboat / Porridge / Soup / Frying / Barbeque / Boiling Water

STEAMBOAT



PSB-128S

- 1600W • 3.8L
- Adjustable Temperature Control
- Short Heat Up Time
- Removable Stainless Steel Pot for Easy Cleaning & Storage
- See-Through Glass Lid

CONSOLE OVEN



PCO-59

- Fully Enamelled
- Oven-Electric
- Timer Indicator
- Capacity: 59L
- Turbo Cooking Fan
- Oven Lamp
- Thermostat
- Multi Cooking Function

MICROWAVE OVEN



PMW-20A

- 800W (Output) - 1300W (Input) • 20L
- Pull Handle Door
- Painted Cavity
- Cooking End Signal
- Manual Control
- 5 Microwave Power Levels (Including Defrost)
- Cooking Timer: 0 - 35 Minutes (First 10 Minutes Scaled by 1 Minute)

OVEN TOASTER



POT-901

- 950-1150W • 11.5L
- 30-minute Timer with Automatic Shut Off & Chime
- Removable Crumb Tray for Easy Cleaning
- Tray Provided
- Toast, Grill & Bake



POT-921

- 800W • 9.0L
- 60-minute Timer with Automatic Shut Off & Chime
- Adjustable Temperature Control with Indicator Light
- 2 High Efficiency Quartz Elements
- Tray Provided
- Toast, Grill & Bake



*Alan
Postman*
Alan Yun
Pensonic Friend

OVEN



AE-11N

• 1200W • 18L

With Extra Tray



AE-19N

• 1380W • 19L

AE 11N / 19N

- Toast, Grill & Bake
- 60-minute Timer With Automatic Shut Off and Chime
- Heater Selector for Lower, Upper or Both
- Tray, Tray Handle & Grid Iron Provided
- Adjustable Temperature Control with Indicator Light



AE-300N

• 1500W • 28L



AE-350N

• 1500W • 35L



AE-420N

• 1800W • 42L

AE 300N / 350N / 420N

- 60-minute Timer with Auto Shut Off and Chime
- Adjustable Temperature Control with Indicator Light
- Tray, Tray Handle & Grid Iron Provided
- Heater Selector for Upper / Lower / Both / Upper with Convection / Lower with Convection / Both with Convection (AE-300N)
- Rotisserie Fork Provided (AE-350N / 420N)
- Heater Selector for Upper with Convection / Upper with Rotisserie / Both with Convection & Rotisserie / Both Heater (AE-350N / 420N)

BUILD-IN HOB



With Mirror Finishing

PGH-413N

- Enamel Trivet
- 3 Burners with Glass Top
- Auto Ignition System (Battery Operated)
- For LPG Use • Tempered Glass
- Inner Dim.(mm) : 705 x 370 x R40



PGH-612N

- Enamel Trivet
- 2 Burners with Glass Top (100 / 100mm)
- With Safety Valve
- Flame Output : 3.8Kw (Left & Right)
- Auto Ignition System (Battery Operated)
- Installation Dim.(mm) : 650 x 350 x R113
- Product Dim.(mm) : 780(L) x 350(W) x R30



PGH-312S

- Durable Trivet • 2 Burners
- Auto Ignition System (Battery Operated)
- Stainless Steel Top Plate
- Double Copper Cap Burner
- Inner Dim.(mm) : 628 x 358 x R45



PGH-412N

- Low Gas Consumption

With Mirror Finishing

PGH 412N / 422N

- Durable Trivet • 2 Burners with Glass Top
- Auto Ignition System (Battery Operated)
- Tempered Glass • Inner Dim.(mm) : 620 x 330



PGH-422N

COOKER HOOD



Exquisitely Streamlined

PCH-751S

- 180W • Twin Induction Motor
- Stainless Steel • Dual Whirlpool Facilities
- Super Suction Power
- Easy Detachable & Cleaning Without Any Tools
- Dim. (mm) : 895W x 540D x 130H

SINGLE BURNER GAS COOKER



PGC-2S

- 100mm
- Stainless Steel
- Single Trivet



PGC-9S

- 120mm Brass Cap
- Epoxy Body
- Enamel Trivet



PGC-111

- 80 / 175mm
- Auto Ignition
- Stainless Steel Top Plate
- High Quality Control Valve
- Cast Iron Trivet



PGS-30C/40C

- Dual Ring
- Automatic Ignition
- For LPG use

DOUBLE BURNER GAS COOKER



PGC-12S

- 90 / 90mm



PGC-53S

- 100 / 120mm

PGC 12S / 53S

- Auto Ignition
- Durable Trivet
- Double Bee-Hive Burner
- Stainless Steel Body



PGC-131S

- 130 / 130mm Cut Piece Brass Cup
- Enamel Trivet
- Stainless Steel Body



PGC-2140S

- 140 / 140mm
- Auto Ignition
- Gas-Saving Up to 25%
- LPG Use Only
- Double Bee-Hive Burner
- Enamel Trivet
- Stainless Steel Body



PGC-22N

- 100 / 100mm
- Auto Ignition
- Durable Trivet
- Double Bee-Hive Burner
- Epoxy Body

INFRARED GAS COOKER



PGC-165SI

- Stainless Steel Body

PGC 165SI / 165GI

- 165 / 165mm
- Auto Ignition
- Durable Trivet



PGC-165GI

- Glass Top Body



PGC-1

- BUTANE GAS CARTRIDGE
- Cylinder Gas for Portable Gas Cooker
- Last up to 3 Hours
- Capacity: 220g



PPG-2002N

- 1.6 kg
- Variable Flame Control
- Unique Gas Cartridge System with Liquid Guard & Refillable
- Dimensions (mm): 332L x 290W x 102H

PORTABLE GAS COOKER

STAND FAN

TABLE FAN



New

PSF-46S

• 16" (400mm) • 60W



New

PF-31S

• 12" (300mm) • 45W



• Height Adjustment • Spider Fan Guard • 4 Wider Metal Blades



• 3-Speed Rotary Control • 2 Metal Blades • Heavy Base for Stability

PSF 46S / 31S

• 3-Speed Rotary Control • Heavy Base for Stability • Wide Angle Automatic Swing • Spider Fan Guard

STAND FAN



PSF-45
 • 50W • 3-Speed
 • 16" (40cm)



PSF-45P
 • 50W • 3-Speed
 • 16" (40cm)



PSF-60S
 • 60W • 16" (40cm)
 • With LCD Display
 • Ion Function
 • Special 4 in 1 Multi-Oscillating Function
 • With Remote Control



PSF-47MR
 • 65W • 16" (40cm)
 • Special 4 in 1 Multi-Oscillating Function
 • With Remote Control : Normal / Natural / Sleep Mode
 • 1, 2, 4, 8 Hours Timer Control



New
PSF-45E
 • 60W • 3-Speed
 • 16" (40cm)



New
PSF-18
 • 70W • 3-Speed • 18" (46cm)
 • Wide Angle Automatic Swing
 • 3 Slim Aerodynamic Blades
 • Heavy Steering Base for Stability



PSF-46L
 • 60W • 3-Speed
 • 16" (40cm)
 • With Display Light



PSF-46M
 • 50W • 3-Speed
 • 16" (40cm)
 • Special 4 in 1 Multi-Oscillating Function

TABLE FAN



AF-30B
 • 3-Speed



PF-31B / 41B
 • 3-Speed



PF-31C / 41C
 • 3-Speed



PF-41A
 • 3-Speed

AF-30B	PF-31B	PF-41B	PF-31C	PF-41C	PF-41A
35W	35W	50W	45W	60W	50W
12" (30cm)	12" (30cm)	16" (40cm)	12" (30cm)	16" (40cm)	16" (40cm)

TOWER FAN



New

PTW-200

- 2-Hour Timer Function



- Wide Angle Automatic Swing



- Easy Operation Control Panel

New

PTW-200R

- 7-Hour Timer Function
- Multi-Function with LED Indicator
- Natural Mode Function



- Multi-Function Remote Control



- Easy Operation Soft Touch Control Panel

PTW 200 / 200R

- 45W • Height: 40'' • 3-Speed Setting Selector (Hi/Med/Low) • Space Saving Design • Wide Angle Automatic Swing
- Energy Saving • Removable Rear Cover for Easy Cleaning

WALL FAN



PWF-48R

- 50W • 3-Speed
- 16" (40cm)
- With Remote Control
- Random / Sleep Mode / Timer / Rhythm / Speed



PWF-48

- 50W • 3-Speed
- 16" (40cm)



PWF-68

- 50W • 3-Speed
- 16" (40cm)

EXHAUST FAN



- Low Noise
- Low Power Consumption
- Powerful Air Delivery
- With Condenser

New

PEX-6B	6" (15cm)
PEX-8B	8" (20cm)
PEX-10B	10" (25cm)
PEX-12B	12" (30cm)

INDUSTRIAL FAN



PFF-18B

- 18" • 70W
- 3-Speed Rotary Control
- 3 Metal Blades for Maximum Air Flow



PFF-18C

- 18" • 130W
- 3-Speed Rotary Control
- 3 Metal Blades for Maximum Air Flow



PFF-20B

- 20" • 200W
- 3-Speed Rotary Control
- 5 Metal Blades for Maximum Air Flow
- Spiral Guard

BOX FAN



PBF-148

- 14" • 50W
- 3-Speed
- With 3-Hour Timer Settings
- Motor with Safety Fuse
- Tilt Adjustment for Focused Cooling

AIR COOLER



New

PAC-100M

- Excellent Water Pump Sprinkling Cyclic System for Effective Humidity, Cooling & Fresh Air
- 2 Ice-Packs (for Freeze) Included for More Cooling Effect
- Mechanical Control Panel
- Humidity, Cooling & Fresh Air
- 2 Hours Timer



- With Honeycomb Filter, Dust Filter & Removable Water Tank



- 3 Fan Speed (Hi / Medium / Low)



- Horizontal Auto Swing & Manually Adjust Vertical Air Flow Direction



PAC-100

- 80W • 3-Speed • 3-Wind Mode • With Honeycomb Filter, Dust-Proof Filter & Removable Water Tank
- Excellent Ionizer Function & Humidifier with Water Pump Sprinkling Cyclic System for Effective Humidity, Cooling & Fresh Air



- With Remote Control



- LED Display with 1, 2, 4, 8 Hours Timer



- 2 Ice-Pack (for Freeze) Included for More Cooling Effect



Anita Sarawak
Anita Sarawak
Pensonic Friend

PORTABLE AIR CONDITIONER



PPA-109

• 1.0 HP

PPA-159

• 1.5 HP

FRESH COOL

New

PPA 109 / 159

- Dehumidifier
- Sleep Mode & Memory Function
- Timer Setting
- Self Diagnosis Function
- Vertical Auto Swing & Airflow
- LED Display
- No Installation Required
- Easy to Move

AIR CONDITIONER

PSW/PCU 119 / 169 / 219 / 269

- Dehumidifier
- Sleep Mode & Memory Function
- Vertical Auto Swing & Air Flow
- LED Display
- Rapid & Turbo Cooling
- Dry Anti-Mildew Design (only for PSW/PCU-269)
- New Defrost System (only for PSW/PCU-269)
- Timer Setting & Self-Diagnosis Function

FRESH COOL



New

PSW / PCU-119 • 1.0HP

Indoor

- 9000Btu/h
- Dim (mm): 730(W) x 174(D) X 255(H)
- Gross Weight: 8KG
- Net Weight: 10.5KG

Outdoor

- Dim (mm): 720(W) x 310(D) x 430(H)
- Gross Weight: 25KG
- Net Weight: 27.5KG

New

PSW / PCU-219 • 2.0HP

Indoor

- 18000Btu/h
- Dim (mm): 845(W) x 186(D) X 275(H)
- Gross Weight: 10KG
- Net Weight: 13KG

Outdoor

- Dim (mm): 848(W) x 320(D) x 540(H)
- Gross Weight: 41KG
- Net Weight: 46KG

PSW / PCU-169 • 1.5HP

Indoor

- 12000Btu/h
- Dim (mm): 790(W) x 177(D) X 265(H)
- Gross Weight: 9KG
- Net Weight: 12KG

Outdoor

- Dim (mm): 798(W) x 320(D) x 540(H)
- Gross Weight: 30KG
- Net Weight: 35KG

PSW / PCU-269 • 2.5HP

Indoor

- 24000Btu/h
- Dim (mm): 940(W) x 298(D) X 200(H)
- Gross Weight: 13KG
- Net Weight: 17KG

Outdoor

- Dim (mm): 913(W) x 680(D) x 378(H)
- Gross Weight: 48KG
- Net Weight: 53KG

CASSETTE TYPE AIR CONDITIONER



New

FRESH COOL PCC / PCU 218

Indoor

- 18000 Btu/h
- Dim (mm): 600(W) x 600(D) x 230(H)
- Gross Weight: 27kg
- Net Weight: 20kg

Outdoor

- Dim (mm): 820(W) x 320(D) x 540(H)
- Gross Weight: 46kg
- Net Weight: 43kg



New

FRESH COOL PCC / PCU 268

PCC/PCU 268 / 408

Indoor

- 24000 Btu/h
- Dim (mm): 840(W) x 840(D) x 240(H)
- Gross Weight: 36kg
- Net Weight: 27kg

Outdoor

- Dim (mm): 1018(W) x 412(D) x 695(H)
- Gross Weight: 67kg
- Net Weight: 63kg

New

FRESH COOL PCC / PCU 408

Indoor

- 36000 Btu/h
- Dim (mm): 840(W) x 840(D) x 320(H)
- Gross Weight: 43kg
- Net Weight: 32kg

Outdoor

- Dim (mm): 1018(W) x 412(D) x 840(H)
- Gross Weight: 100kg
- Net Weight: 95kg



Steve Yap

Steve Yap
Panasonic Friend

WASHING MACHINE



PWA-655A
• 300W • 6kg



PWA-755A
• 350W • 7.3kg



PWA-895A
• 400W • 8.5kg

PWA 655A / 755A / 895A

- Full Plastic Body Free Rust
- Stainless Steel Inner Tub
- LED Display
- Child Lock
- Dynamic Soak
- 8 Water Level Control
- 1 - 24 Hours Delay Start
- 5 Wash Program Selector / Energy Saving
- Error Code Alarm



PWS-9008A
• 9.0kg



PWS-9208A
• 9.2kg

PWS 9008A / 9208A

- Big Pulsator for Cleaner Wash
- Semi-Auto
- Plastic Body Free from Rust
- Two Water Inlets
- Transparent Cover
- Anti-Pest Design (Rat)
- Double Layer Walls
- Wash & Spin Tub Rinsing Selection



PWS-8208A

- 8.2kg
- Semi-Auto
- Big Pulsator for Cleaner Wash
- Plastic Body Free from Rust
- Two Water Inlets
- Transparent Cover
- Anti-Pest Design (Rat)
- Double Layer Walls
- Wash & Spin Tub Rinsing Selection



PWS-652A / PWS-653A (Orange Color)

- 6.5kg
- Semi-Auto
- Big Pulsator for Cleaner Wash
- Wash & Spin Tub Rinsing Selection
- Waterfall System
- Plastic Body Free from Rust

DVD PLAYER



New

PDVD-9303HM

- DVD / DVD+/-R / AVCHD / VCD / DVD-ROM / Audio-CD / DTS-HD / MP3 / MP4 / WMA / AAC / DIVX / Dolby Digital AC-3
- Full HD 1080p • 2CH ADC / 6CH DAC • JPEG / PNG / GIF / BMP / TIFF
 - Ethernet MAC • CD Ripping / Copy-Delete Function • ISP / HDMI 1.3
 - ISO 9660 / UDF 2.5 / FAT 16/32 / NTFS • USB Input • Full Karaoke Function
 - MPEG 1/2/4, H.264, VC1 up to 1080p, Real Video
 - MKV / AVI / RMVB / FLV / VOB / TP / TS / M2TS / ASF / WMV / OGG / WAV
 - Native32 On-Line Game / E-Book / Network Movie / Weather Report / Google Map / High-Speed Sensorless Spindle Motor



New

PDVD-9901



New

PDVD-9902



New

PDVD-8203



New

PDVD-8204

PDVD 8203 / 8204

- DVD / SVCD / CD / MP3 / MP4 / PAL / NTSC / Dolby Digital AC-3
- Full Remote Control System • Support 32 Subtitles
 - 8 Languages • Extra Slim • CD-R / CD-RW / MPEG Decoder
 - Multi Zone Code & Parental Lock • Digital DVD Player & USB Player
 - Screen Saver • 2.0ch Analog Audio Output • Full Karaoke Function



New

PDVD-9903

PDVD 9901 / 9902 / 9903

- MPEG-4 / DVD / DVD-R / DVD-RW / SVCD / VCD / CD / CD-R / MP3 / Picture CD / JPEG / PAL / NTSC
- Full Remote Control System • Component Video (Y / Cb / Cr) Output
 - Progressive Scan • Dolby Digital 2.1 Channel Output • USB Input
 - Multi-Language On Screen Display • Full Karaoke Function

PAL NTSC

DOLBY DIGITAL



PAL NTSC

DOLBY DIGITAL



PDVD-9201

- DVD / SVCD / MP3 / MP4 / PAL / NTSC
Dolby Digital AC-3
- Full Remote Control System
 - Support 32 Subtitles
 - 8 Languages
 - Screen Saver
 - Multi Zone Code & Parental Lock
 - CD-R / CD-RW / MPEG Decoder
 - Able to Transfer CD / MP3 / MP4 Files to USB
 - Full Karaoke Function



PDVD-9302H

- DVD / MP3 / VCD / CD / CD-R / DVCD / CD-RW / DVD+R / DVD+RW / KODAK Picture CD / MP4 / DIVX / HD Mode / Dolby Digital AC-3 / PAL / NTSC
- Full Remote Control System
 - Multi Zone Code & Parental Lock
 - USB Input
 - Full Karaoke Function



PDVD-9301RM

- DVD / DVCD / SVCD / VCD / CD / MP3 / CD-R / CD-RW / DVD-RW / PAL / NTSC / AUTO TV / DVD+RW JPEG / KODAK Picture CD
- Full Remote Control System
 - RM / RMVB Compatible Digital Media Player
 - Multi Zone Code and Parental Lock
 - Full Karaoke Function with Digital Echo and 3D Effect

PAL NTSC

DOLBY DIGITAL



PAL NTSC

DOLBY DIGITAL



PAL NTSC



Kelly
Kelly Jagan
Pensonic Friend

LCD

COLOUR TV



42"
Full HD
1920x1080



32"



14"
PAL NTSC

PLCD-4201

- Screen Ratio: 16:9
- Resolution: 1920 x 1080 @ 60Hz
- Max Brightness: 450cd/m²
- Max Contrast: 1300:1
- Response Time: 5ms
- Display Color: 16.7M
- Power Consumption: <240W
- Dimensions: 1135 x 795 x 230 mm

PLCD-3201

- Screen Ratio: 16:9
- Resolution: 1360 x 768 @ 60Hz
- Max Brightness: 500cd/m²
- Max Contrast: 1000:1
- Response Time: 8ms
- Display Color: 16.7M
- Power Consumption: <170W
- Dimensions: 900 x 660 x 220 mm

PCT-1416

- Channel Pre-Engaging
- Hyper Band Tuner
- Calendar & Sleep Function
- 2 AV In / 1 AV Out
- Multi-System (PAL / NTSC)
- With Remote Control



21" 29"
PAL NTSC

PCT-2139P / 2939P

- AV Stereo
- 2 AV In / 1 YUV In / 1 AV Out



21" 29"
PAL NTSC

PCT-2149P / 2949P

- AV Mono
- 2 AV In / 1 AV Out

PCT 2139P / 2939P / 2149P / 2949P

- PAL / BG System
- NTSC Playback 3.58/4.43 Hyper Band Tuner
- Full Auto-Search
- 249 Preset Programs
- Sleep Timer
- With Infrared Remote Control



21" 29"
Pure Flat

PCT-2128P / 2928P

- 255 Preset Programs
- With Remote Control



21"

PCT-2138P

- 200 Preset Programs
- With Infrared Remote Control

PCT 2128P / 2928P / 2138P

- AV Stereo
- NTSC Playback 3.58/4.43 Hyper Band Tuner
- PAL / BG System
- Full Auto-Search
- Sleep Timer
- 2 AV In / 1 YUV In / 1 AV Out



CLOCK RADIO & WALKIE



PCR-96

- AC Operation with DC Backup
- Radio Count Down
- Accompany to Sleep
- Snooze Function



PCR-97

- AM / FM Alarm Clock Radio
- Built-In Speaker
- Snooze Function

RADIO CASSETTE RECORDER



PS-189



PS-289

PS 189 / 289

- 6W • AM / FM Radio • One Touch Recording • Rotary Volume Control
- Automatic Cassette Recording Level Control • Auto Stop Deck Mechanism
- Soft Eject Cassette Door • Built-In Mic • Sleep Mode for Radio
- Telescopic Antenna • Headphone Jack • AC-DC
- Uses 4 pcs UM-1D Batteries (batteries not included)

CD PLAYER



PCD-810

CD PLAYER

- AM/FM Stereo Radio • LED CD Display
- Auto Stop Mechanism • AC/DC Operation
- Analogue Tuning • 500W PMPO
- FM Mono / Stereo Selector
- Single Cassette Recorder
- CD-RW Compatible
- Uses 6 pcs 'UM 1/C' (batteries not included)
- Automatic Cassette Recording Level Control



PCD-900

DVD/VCD/CD/MP3/MP4 PLAYER

- AM/FM Stereo Radio • LCD Display
- Single Cassette Recorder
- Uses 8 pcs 'UM-1' Batteries (Batteries Not Included)
- USB/SD Slot • Karaoke Function
- NTSC/PAL System for VCD/DVD
- With Remote Control



PCD-850

CD/CD-RW PLAYER

- Analog Tuning AM/FM
- Stereo / Mono Selector
- LED Display
- 6 Keys Single Cassette Recording: Record, Play, Forward, Rewind, Stop/Eject, Pause
- Rotary Volume Control



PCD-960M

CD/MP3 PLAYER

- AM/FM Stereo Radio • AC/DC Operation
- Stereo / Mono Selector • Rotary Volume Control
- LCD Display with Backlight
- USB / SD Card Reader Only
- 6 Keys Single Cassette Recording: Record, Play, Forward, Rewind, Stop/Eject, Pause

DVD MICRO SYSTEM



New

PCD-901

DVD / VCD / CD / MP3 / MP4 PLAYER

- AC / DC Operation
- Uses 8 x UM-2 Batteries
- With USB & SD Slot
- AM / FM Tuner
- Bass Boost System
- Built-In Microphone
- Cassette Player



PDV-80A

DVD/DVCD/SVCD/VCD/CD/MP3/CD-R/CD-RW/DVD+RW/DVD-RW/JPEG/KODAK PICTURE CD

- 2-Way 4 Speakers (25W x 2) • Built-In Amplifier
- AM/FM Digital Tuner • AUX Audio Input Jack
- Dolby Digital / PCM via Coaxial Output
- OSD Menu and Information Display
- Full Function Remote Control
- Composite Video Output, S-video Output
- Component Video Output (YUV)
- 80 Preset Stations with Automatic Memory Function
- PAL/NTSC/AUTO TV System Compatible

VACUUM CLEANER



New

PVC-22C

- 1200W • 1.4L
- Powerful Motor
- Dust Bag Full Indicator
- Swivel Front Wheel for Easy Movement
- Power Regulator
- Safety Valve
- Strong Suction Power
- Cord Rewinder System
- Rubber Frame for Collision Prevention
- Accessories: Plastic Tubes, Plastic Floor Brush, Flexible Hose & Dust Bag



New

PVC-2200

- 1220W • 1.5L
- Powerful Motor
- Bagless Cyclonic System
- Swivel Front Wheel for Easy Movement
- Power Regulator
- Safety Valve
- Strong Suction Power
- Accessories: Plastic Tubes, Plastic Floor Brush, Flexible Hose & Dust Bag



New

PVC-211

- 1200W • 32L
- Dry / Wet / Blow Vacuum Cleaner
- Powerful Suction for Waste Water with Accessories
- Strong Blowing Function
- Washable Filter
- Durable Plastic Blow Tank Material
- Accessories: Master Nozzle, Squeeze Nozzle, Crevice Tool, Ellipse Brush & Extension Wands

PVC-25A

- 1200W • 2.0L
- Powerful Machine
- Dust Bag Full Indicator
- Power Regulator
- Safety Valve
- Auto Cord Rewinder System
- Swivel Front Wheel for Easy Movement
- 4-5 Filter System with Washable Filter
- Rubber Frame for Collision Prevention
- Strong Suction Power
- With Accessories



PVC-31A

- 1600W • 2.5L
- High Motor Power Level
- Auto Cord Rewinder System
- Dust Bag Full Indicator
- Swivel Front Wheel for Easy Movement
- 5-Stage Filtration System
- With Speed Control
- With Accessories



PVC-22B

- 1200W • 3.0L
- Automatic Cord Rewinder System
- Dust Bag Full Indicator
- 5-Layer Filtration System
- Cord Length 5.0M
- Foot Pedal for On/Off



PVC 200 / 201

- 1200W • 32L • Washable Filter
- Powerful Suction for Waste Water
- Strong Blowing Function
- With Accessories



PVC-200

PVC-201

FREEZER



	Capacity	Ext.Dim. (mm) WxLxH
PFZ-150N	150L	621(W) x 812(L) x 705(H)
PFZ-232N	230L	645(W) x 971(L) x 870(H)



New

	Capacity	Ext.Dim. (mm) WxLxH
PFZ-233F	200L	713(W) x 764(L) x 897(H)
PFZ-343F	300L	713(W) x 1030(L) x 897(H)
PFZ-453F	400L	713(W) x 1300(L) x 897(H)
PFZ-563F	560L	713(W) x 1660(L) x 897(H)

PFZ 150N / 232N / 600N / 800N / 233F / 343F / 453F / 563F / 209GL / 309GL

- Corrosion Resistant Cabinet
- Concealed High Efficiency Compressors
- With Indicator Light
- Low Energy Consumption
- Space Saving
- Built-In Lock
- With Rollers
- No External Condensation
- Drain Plug & Drain Hose



	Capacity	Ext.Dim. (mm) WxLxH
PFZ-600N	600L	670(W) x 1683(L) x 904(H)
PFZ-800N	800L	735(W) x 1945(L) x 904(H)



With Sliding Glass Lid

	Capacity	Ext.Dim. (mm) WxLxH
PFZ-209GL	173L	612(W) x 812(L) x 780(H)
PFZ-309GL	250L	652(W) x 1042(L) x 780(H)



PFZ-110

- 11L
- Modern and Stylish Design
- Corrosion Resistant Cabinet
- Concealed High Efficiency Compressor
- Low Energy Consumption
- Space Saving Interior
- Gross Weight: 40kg • Net Weight: 35kg
- Ext. Dim. (mm) : 520W x 630L x 835H

REFRIGERATOR



PMF-50

- 50L • Gross Weight: 19.0kg
- Freeze Temp.: -6° C - 12° C
- Refrigerator Temp.: 0° C
- Corrosion Resistant Cabinet
- Concealed High Efficiency Compressor
- Low Energy Consumption
- Space Saving
- Ext. Dim. (mm): 449W x 470L x 501H



PMF-65

- 50L • Gross Weight: 21.0kg
- Corrosion Resistant Cabinet
- Low Energy Consumption
- Space Saving
- Adjustable Leg
- Ext. Dim. (mm): 472W x 450L x 492H

STANDING COOLER



PC-410GLN

- 250L
- Freeze Temp.: 0° C - 4° C
- Refrigerator Temp.: 0° C
- Double Layer Tempered Glass Door for Anti-Condensation
- Low Energy Consumption
- Built-In Lock
- Ext. Dim. (mm): 560W x 580L x 1745H

WATER HEATER



PWH-800E

- Energy Saving Heater Tank Design
- Triple Safety Device, For Your Ultimate Protection
- Stylish 5-Spray Pattern Handshower
- Electronic Variable Power Temperature Control
- Splash Proof Casing
- Suitable For HIGH & LOW Water Pressure
- Quarter Turn, Easy Operation Stop Valve
- Better Heat Up Efficiency



PWH-867E / 867EP

PWH 867E / 867EP / 900E / 900EP

- Asia 1st Immersed Thermostat System
- Anti-Leak Plastic Tank
- Stylish 5-Spray Pattern Hand Shower
- 3-in-1 Compact Stop, Flow & Filter Valve Design
- Triple Safety Device:
 - Built-In Highly Sensitive Electronic ELCB, Prevents Electrocutation & Protect From Lightning
 - Built-In Auto Flow Switch, Prevents Overheating Caused by Blockage
 - Anti-Scalding 55°C Automatic Thermal Cut Out, for User's Ultimate Protection
- UL Approval Highly Reliable Heating Element
- Suitable for HIGH and LOW Water Pressure Splash Proof Casing
- Electronic Variable Power Temperature Control
- Built-In Booster Pump (867EP / 900EP)



PWH-900E / 900EP

Slim & Elegant Design

WELL BEING



PAP-02 AIR PURIFIER

- 76W • 8.2kg • 4-Speed
- Airflow Volume: 360 - 400m³/h • LCD Display
- 99.7% Purifying Efficiency • 6-Stage Filtration System
- With Remote Control • With Cleaning Brush
- With Pre-Filter, Ion Precipitator, Alveolate Activated Carbon Filter, UV Light, Photocatalysis Filter, Negative Ion Generator & Fragrance Diffuser
- Filter : APF-02A / 02B / 02C



PAP-03 AIR PURIFIER

- 45-52W • LCD Display • 3-Speed
- HEPA Filter • Electronic Control
- Ionizer Assists In Air Cleaning
- Timer Function For Up To 8 Hours
- Filter : APF-03



PFS-6 NATURAL PURE WATER SYSTEM

Enjoy the Healthy Lifestyle with Energetic Pensonic Natural Pure Water System

- Removes and Reduces Dirt, Solids & Dangerous Bacteria
- Mild Alkaline Water Helps to Adjust PH Balance of Body Fluids
- Better Water Absorption and Enriches the Oxygen Content of Water
- Removal of Chlorine, Odour & Enhances the Water Quality
- Cartridge : PSF-6RG / 6R1 / 6R2 / 6R3 / 6R6

STARLIGHT



PCFL-09U2CA PCFL-09U2WA

• 9W



PCFL-11U3CA PCFL-11U3WA

• 11W



PCFL-15U2CA PCFL-15U2WA

• 15W



PCFL-18U3CA PCFL-18U3WA

• 18W



PCFL-23U3CA PCFL-23U3WA

• 23W



PCFL 09U2CA / 09U2WA
PCFL 11U3CA / 11U3WA
PCFL 15U2CA / 15U2WA
PCFL 18U3CA / 18U3WA
PCFL 23U3CA / 23U3WA

- High Efficiency - 80% Energy Saving Over Standard Bulbs
- Instant Start
- Longer Lifespan - Last Up to 8000hrs
- Excellent Brightness

■ CA - Cool Light ■ WA - Warm Light

170V
ΔV
260V

Voltage : 170-260V - 50/60Hz

8000 hrs

Longer Lifespan - last up to 8000hrs*

80%
ENERGY SAVING

High efficiency - 80% energy saving over standard bulbs

Excellent Brightness

CLASSIC

SERIES



PB-1000

FOOD PROCESSOR

- 550W • Jug 1.8L (with Stirrer)
- 2-Speed with Pulse
- Stainless Steel Blade
- Safety Lock
- Ice Crusher
- Spout to Dispense Smoothie
- Multi-Function :
Blender / Grinder / Chopper /
Food Processor



PJ-69

JUICE EXTRACTOR

- 500W • On/Off Switch
- With Juice & Pulp Container
- Wide Feeding Tube
- Stainless Steel Filter
- With Fruit Tray



PJ-67S

JUICE EXTRACTOR

- 450W • 2-Speed
- Stainless Steel Housing
- Stainless Steel Juice Pour Tip
- Stainless Steel Filter
- LED Backlight
- Safety Micro Switches
- Large Capacity Pulp
Container: 850ml
- With Fruit Tray



PST-940S

SANDWICH TOASTER

- 700W
- Non-Stick Coating
- Durable Casing
- Cool Touch Housing
- Stand Upright for Easy Storage
- With Indicator Light
- Cold Storage Compartment



PSM-127S

STEAMER

- Stainless Steel Housing
- Water Window with Side Water Refiller
- Indicator Light
- LED Backlight
- 3 Steam Container
- Big Capacity
- With Rice Bowl
- 60 Minutes Timer with
Auto Shut Off & Chime



PET-2000L

ECO THERMOPOT

- Eco-Friendly Choice
- Save More Than 88% Energy
- Hot Beverages In Seconds
- Classic Yet Stylish Design



PCH-800S

COOKER HOOD

- Air Capacity: 660cbm/h • Width: 900mm
- Total Power: 190W • Halogen Power: 2 x 10W
- Stainless Steel & Tempered Glass
- Exhaust Plastic Pipe: 2 Meter
- Charcoal Filter • 3-Speed Control Button
- European Design
- Dim (mm): 900(L) x 475(W) x 880(H)
- Weight: 21kg



PGH-602S

GAS HOB

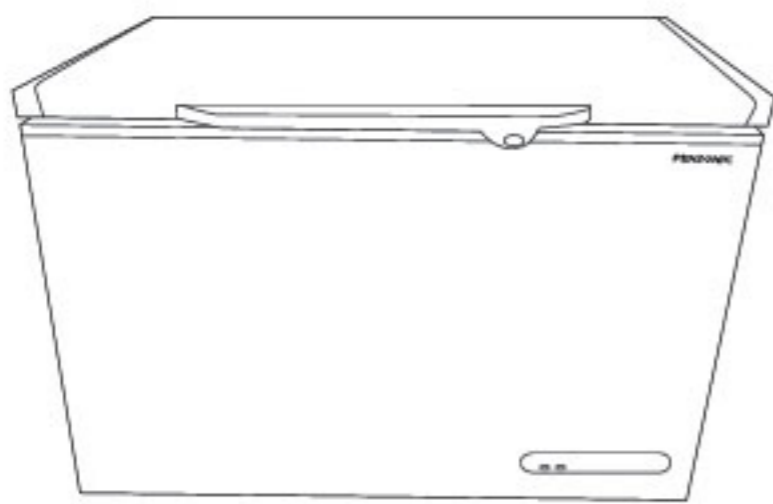
- Double Burners
- 120 / 120mm
- Auto Ignition System (Battery Operated)
- Cast Iron Trivet
- With Safety Valve
- 304 Stainless Steel Top Plate
- Inner Dim (mm) : 710 x 420 x R50



PGH-603S

GAS HOB

- 3 Burners
- Left 120mm / Right 120mm / Centre 70mm
- Auto Ignition System (Battery Operated)
- Cast Iron Trivet
- With Safety Valve
- 304 Stainless Steel Top Plate
- Inner Dim (mm): 710 x 420 x R50



PFZ-108N

- 125W • 108L • 34kgs
- Dim. (mm) : 932(L) x 602(W) x 499(H)

PFZ-208N

- 165W • 208L • 51kgs
- Dim. (mm) : 932(L) x 584(W) x 926(H)

PFZ 108N / 208N

- Direct Cooling • Concealed High Efficiency Compressor
- With Water Drainage & Plug In Hole • Built-In Lock
- Corrosion Resistant Cabinet • Low Energy Consumption



PLED-1900

- 19" • Viewing Angle: 170/160
- Best Resolution: 1360 x 768 @ 60Hz
- Max Brightness: 250cd/m2
- Power Consumption: <35W

PLED-2300 / 2400

- 23" / 24" • Viewing Angle: 176/176
- Best Resolution: 1920 x 1080 @ 60Hz, Full HD
- Max Brightness: 300cd/m2
- Power Consumption: <40W

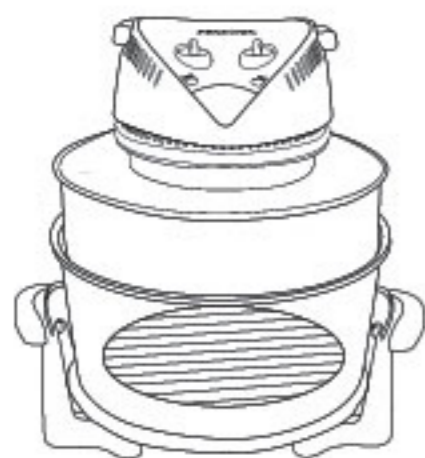
PLED 1900 / 2300 / 2400

- Screen Ratio: 16:9 • Max Contrast: 1000:1
- Response Time: 5ms • Display Color: 16.7M
- PAL / NTSC • HDMI • USB



PIC-20

- LCD Display Control Panel
- With Stainless Steel Soup Pot
- High Quality Ceramic Glass Cooktop
- Timer 0-180 Min • Child Lock
- 10 Level Watts / Temperature Level & Adjustable Temperature 60-240°C
- Intelligent Micro-computer Control with Touch Sensor for Easy Operation
- Safe for Environment, Flameless and Smokeless
- Simple 7-in-1 Function: 3 Preset Functions : Soup, Rice, Milk 4 Adjustable Functions : Stir Fry, Hotpot, Steamboat, Keep Warm & Power
- Safe & Easy to Clean Cool Touch Cooking Surface
- Glass Control Panel for Easy Cleaning



PRO-910

- 1400W • 12L
- Added 5L with Extension Ring
- Easy Operation with Timer & Temperature Control
- Cook Evenly
- Preserving Nutrients & Flavour of Food
- 3 to 5 Times Faster Than Conventional Ovens
- Functions: Roast, Grill, Bake, Broil



PSM-161

- 750W
- 3 Steamer Container
- With Egg Rack
- 1.4L Rice Bowl
- 60-minute Timer with Auto Shut Off & Chime
- Water Window with Water Refill Facility



PM-214

- 200W
- 5-Speed For All Mixing Needs
- Turbo Function
- Gear Driven Plastic Mixing Bowl
- Light Weight for Comfort Handling
- Positive Beater Lock



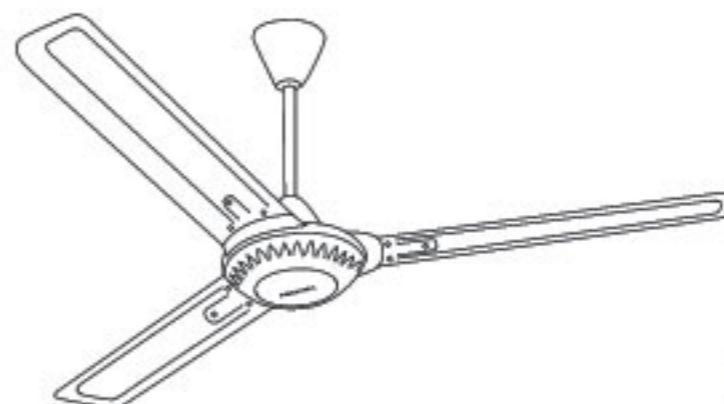
PTF-30B

- 750W • 3.0L
- Auto Reboil/ Keep Warm
- 360° Swivel Base
- Stainless Steel Inner Pot
- 3 Ways Dispenser (Manual/ Auto/ Cup)
- Lock/ Unlock Safety Feature



PMC-150G

- 5.0L
- Adjustable Temperature Control
- Removable Non-Stick Inner Pot
- With Tempered Glass Lid
- Braising, Stir Frying, Deep Frying, Steamboat and Grilling
- With Grill Pan



PCF-60B

- 85W
- 5-Speed Regulator
- White Colour
- 60" Inch
- 3 Blades

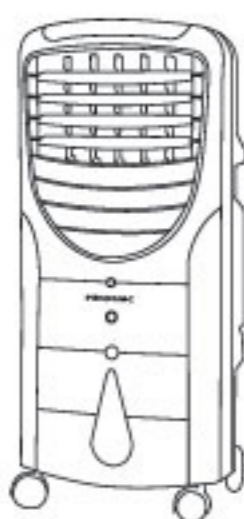


PSF-48MR

- Remote Control
- 8-Hours Timer

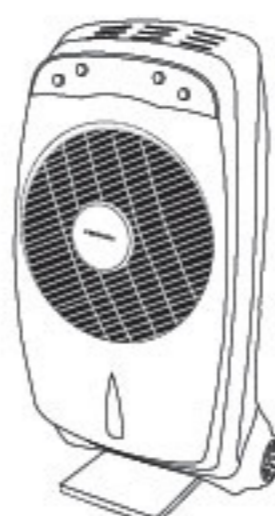
PSF 48M / 48MR

- 50W • 400mm (16")
- Air Delivery: 54m3/min
- 3-Speed
- Motor with Safety Fuse
- Special 4-in-1 Multi-Oscillating Function



PAC-200

- 3-Fan Speed (Hi/ Med/Low)
- 8-Hour Timer
- Airflow: Horizontal Auto Swing, Vertical Manual Adjust
- Honeycomb Filter with Powerful Cooling Performance
- Water Window with Side Water Refiller
- With Indicator Light
- Excellent Ionize Function
- With Remote Control



PAC-310H

- 4-in-1 Combination of Fan, Ultrasonic Mist Humidifier & Ionizer, Enhanced with Mosquito Repellent Function
- Superfine Mist Capacity: 300 ml/hour
- 9-Hour Timer • Motor with Safety Fuse
- 3-Speed Control • 3.5L Water Tank
- 3-Wind Mode (Normal / Natural / Sleeping)
- Multi-Function Remote Control & Colourful LED Display



PWD-700

- 680W
- Stopcock Button
- Hot and Warm Water Ready
- Water Level Indicator
- Overheat Safety Protection
- Auto Boil and Reboil Function
- Keep Warm Function
- Easy To Use Operation Button

Pensonic Sales & Service Centre

WORLDWIDE

CHINA

5F, Block 16, Xiang Zhou Technology Industrial District, Meihua Xi Road No 2372, Xiangzhou, Zhuhai City, 51900 China
Tel.Fax (0756) 8525 920 / 2655 274

HONG KONG

Unit 1303, Wanchai Commerical Centre, 194-204 Johnston Road, Hong Kong
Tel.Fax (852) 2727 0997 / 2758 5088

SINGAPORE

2 Leng Kee Road, #06-03 Thye Hong Centre, Singapore 159086
Tel.Fax (65) 6472 6504 / 6475 9534

INDONESIA

Jl Kamal Muara VII, Sentra Industri Terpadu Pantai Indah Kapuk Blok I/ 1 No. 28
14450 Jakarta Utara, Indonesia
Tel.Fax (6221) 5698 2889 / 5698 3100

BRUNEI

No. D6, Spg 396, Jln Jerudong, Bangunan Perkasa 1, Kampung Sengkurong B, Bg 1321, Brunei Darussalam
Tel.Fax (673) 2611 918 / 2610 801

THAILAND

83/ 161-162 Moo 6, Soi Chinaket 2, Ngamwongwan Rd. , Thungsonghong, Laksi, Bangkok 10210, Thailand
Tel.Fax (622) 9545 281-3 / 5807 443

VIETNAM

58-295 Bahmai Str. , Haibatrung Dist. , Hanoi, Honai
Tel.Fax (844) 6251 976 / 6252 228

54-56 Bui Huu Nghia Street, Dist 5, Ho Chin Minh City, Vietnam
Tel.Fax (848) 3829 1363 / 3829 5480

MYANMAR

Building 2, Room #3, Narnattaw St, Kamaryut Township, Yangon, Myanmar
Tel.Fax (95) 0153 9656

PHILIPPINES

Unit 1, 131 Olympia Bldg. , Quirino Highway, Baesa, Quezon City, Manila, Philippines, 1115
Tel.Fax (632) 334 1212

NAURU

P.O.Box 299
AIWO Nauru Central Pacific Islands
Tel.Fax (674) 444 3701 / 444 3916

NEPAL

6/ 38, New Road, Post Box No. 5020, Kathmandu, Nepal
Tel.Fax (977) 1424 4563 / 144 7129

Post Box No. 4393 Kathmandu, Nepal
Tel.Fax (977) 4222 529

SRI LANKA

260/ 3, Victoria Place, Elvitigala Mawatha, Colombo, Sri Lanka
Tel.Fax (9411) 2801 453 / 2801 453

SRI LANKA SHOWROOM 3C

35C, Nawama Road, Nugegoda, Sri Lanka

MALDIVES

G. Manaam Building
2/ 1 Neeloafaru Magu
20129 Male
Republic of Maldives
Tel.Fax (00960) 333 4400 / 333 4436

S. Hithadhoo Ziyaaraiyannu Magu
Addu Atoll Maldives
Tel.Fax (998) 71262 3999

IRAN

Unit 12, Level 3, Maleknia Building, Between Post Office and Shahrday, Saheli Boulevard, Khorram Shahr Port, Khozesten, Iran
Tel.Fax (0098) 641 222 3786 / 641 222 7375

KUWAIT

P. O. Box 22717 Safat 13088, Fahed Al-Salem Street, Suad Commercial Complex, Kuwait
Tel.Fax (965) 2429 700 / 2434 571

SEYCHELLES

P.O.Box 1371, Victoria Mahe, Seychelles
Tel.Fax (248) 323680 / 324724

CAMBODIA

#436 Ceo, St. 163-360, Sangkat Boeung Keng Kang 3, Khan Chamkarmon, Phnom Penh, Cambodia.
Tel.Fax (855) 1285 8888 / 2321 3128

SAUDI ARABIA

Homaidi Centre, Ateeqah Market
First Floor 0503167251 Sadiq
Near Atteeqah Bridge
11438 Riyadh Saudi Arabia
Tel.Fax (966) 1457 1111 / 1457 3835

BAHRAIN

P. O. Box 10887, Manama, Bahrain
Tel.Fax (973) 1722 4220 / 1770 0043

YEMEN

Taiz Street Sana'a Republic Of Yemen
Tel.Fax (9671) 609 798 / 444 752

LEBANON

Verdun-Bekaa Str-Zahraa, Bldg-3 Flr, P. O. Box 155150, Beirut-Lebanon
Tel.Fax (961) 1817 681 / 1318 152

EGYPT

Usama Shahin St of Saad Zagloul St. , El Bar Elsharkey Shibin El Kom Menofia
POB 32514 Egypt
Tel.Fax (201) 0009 3033

SUDAN

P. O. Box 682, Khartoum, Sudan
Tel.Fax (249-183) 762 173 / 781 683

PAPUA NEW GUINEA

Lot 1, Section 479, Kennedy Road, Gordon, P. O. Box 3655 Boroko NCD, Papua New Guinea
Tel.Fax (675) 325 1122

GUINEA

Calle Ebebeyin
B. P: 177, Malabo, Equatorial Guinea
Tel.Fax (204) 096 444

NORTH KOREA

Potonggang District Pyongyang
The Democratic Peoples's Republic of Korea
Tel.Fax (603) 7982 5258 / 7987 5258

FIJI

Centerpoint 1, Ratu Dovi Road
GPO Box 14416 Suva Fiji
Tel.Fax (679) 339 3111 / (334) 334 0255

IVORY COAST

Abidjan Treichville Avenue
12 Rue 44
18 BP 1800 Abidjan 18
Tel.Fax (225) 2125 1818

JORDAN

P. O. Box 961057
Amman 11196, Jordan
Tel.Fax (962) 6515 3457 / 6515 0542



*Available in Thailand



PENANG HEAD OFFICE & SHOWROOM

Plot 98, Perusahaan Maju 8,
Bukit Tengah Industrial Park,
13600 Prai, PENANG
Tel.Fax (604) 5070 393 / 5073 825

PENANG CUSTOMER CARE CENTRE

16, Jln Sultan Azlan Shah,
11700 Gelugor, PENANG

PENANG

143-145, Perak Rd. , 10150 PENANG

JOHOR BAHRU

31, Jln Ros Merah Satu/ 1,
Tmn Johor Jaya, 81100 J. Bahru, JOHOR

KOTA BHARU

PT-621, Ground Floor, Batu 2 Jln Pengkalan
Chepa, 15400 Kota Bharu, KELANTAN

KUANTAN

No. A 141 & A 143, Ground Floor, Jln Wong
Ah Jang, 25100 Kuantan, PAHANG

KUALA LUMPUR SHOWROOM & CUSTOMER CARE CENTRE

Lot 11A, Jln 223 Sec 51A,
46100 Petaling Jaya,
SELANGOR DARUL EHSAN
Showroom
Tel.Fax (603) 7954 5200 / 7954 5705
Customer Care Centre
Tel.Fax (603) 7954 5221 / 7954 5706

IPOH

31, Laluan Perusahaan Kledang 9,
Kaw Perindustrian Chandan Raya,
31450 Menglembu, Ipoh, PERAK

MALACCA

385-C, Tmn Peringgit Jaya,
75400 MALACCA

SABAH

Lot 4, Towering Industrial Centre,
88300 Penampang, K. Kinabalu, SABAH

SARAWAK

Lot 1186, Pending Industrial Estate,
Jln Gedung, 93450 Kuching, SARAWAK

LABUAN

Lot 7 & 8, Wisma Wong Wo Lo,
Batu Arang, P. O. Box 82182,
87031 W. P. LABUAN
Tel.Fax (6-087) 4269 77 / 4259 77

CoreLine

Please Call **1-800-881-770**

call this number for any enquiries

For Prompt After-Sales Service (For Malaysia Only)

* Operation Hours: Mon - Sat 8:30am - 5:30pm / Sunday & Public Holiday Closed

PENSONIC SALES & SERVICE SDN. BHD. (162419-M)